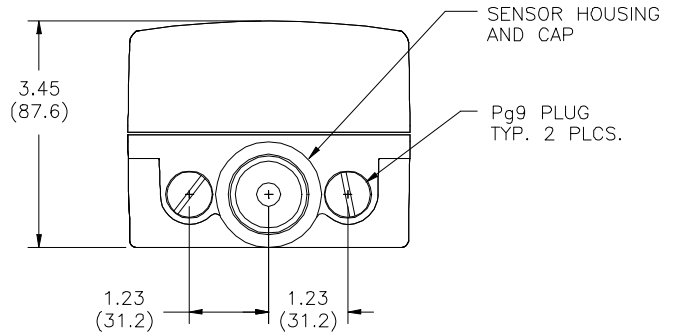
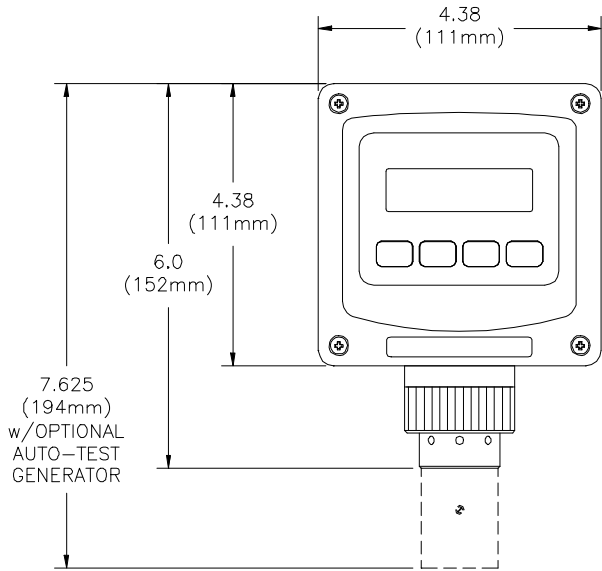


**LOOP POWERED & JUNCTION BOX ENCLOSURE DIMENSIONS**

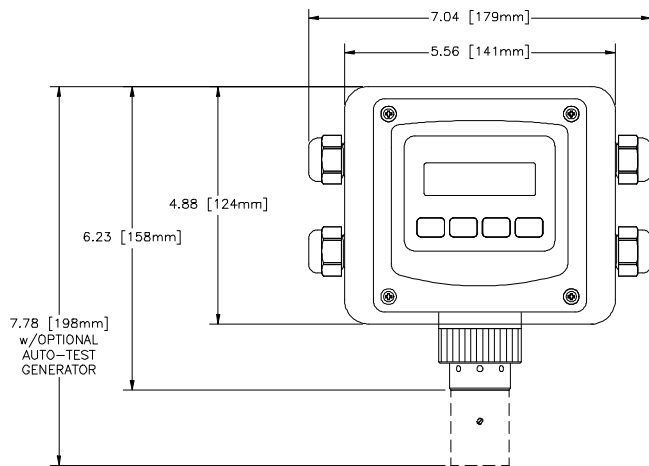


**NOTES:**

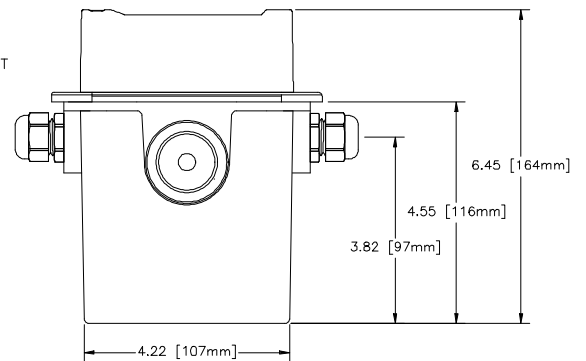
- 1) **Enclosure Matl:** Grey Polycarbonate w/S.S. Hardware Weatherproof & Corrosion resistant
- 2) **Ratings:** Nema 4X
- 3) Junction box DOES NOT contain an LCD front Panel

ATI-0818a

**AC POWERED ENCLOSURE DIMENSIONS**



(4) 1/2" NPT CORD GRIP

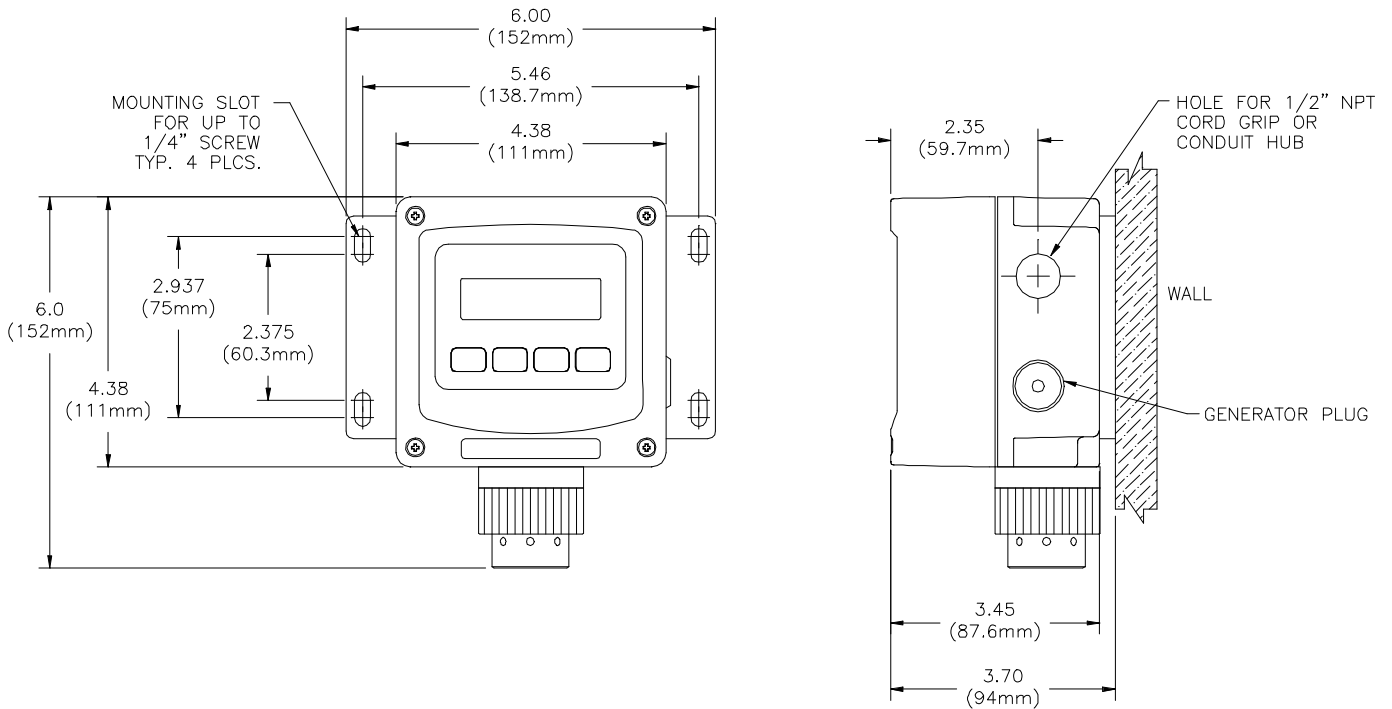


**NOTES:**

- 1) **Enclosure Matl:** Grey Polycarbonate w/S.S. Hardware Weatherproof & Corrosion resistant
- 2) **Ratings:** Nema 4X

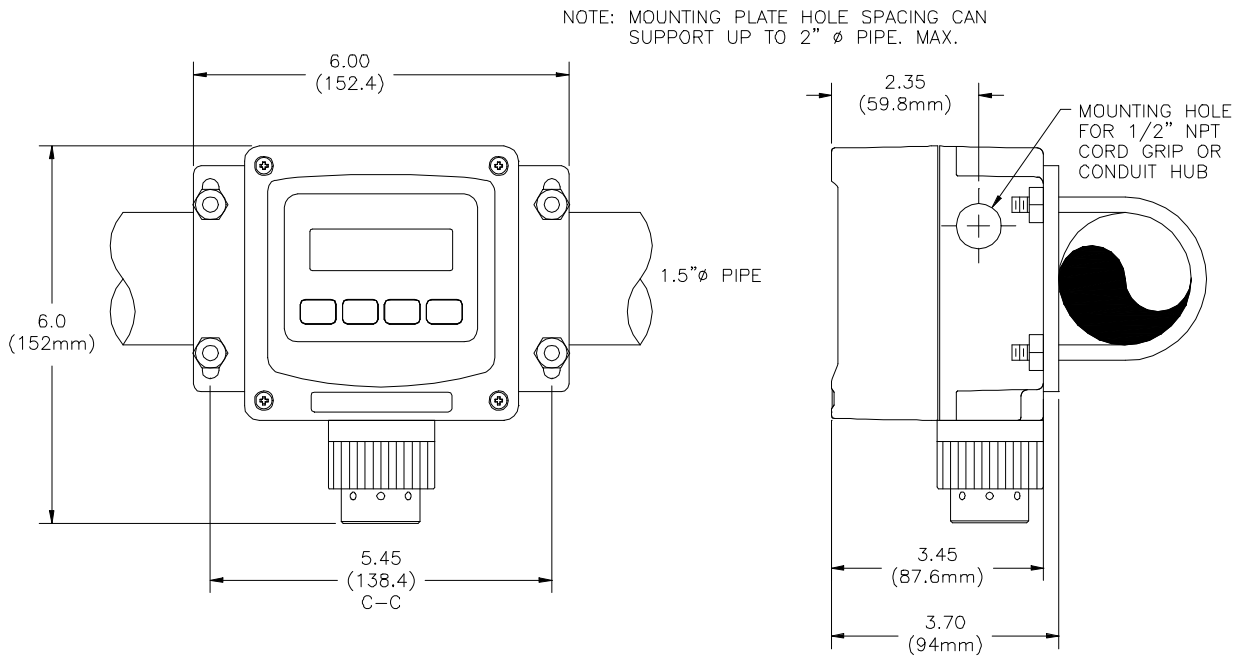
ATI-0841a

**ENCLOSURE WALL MOUNTING**



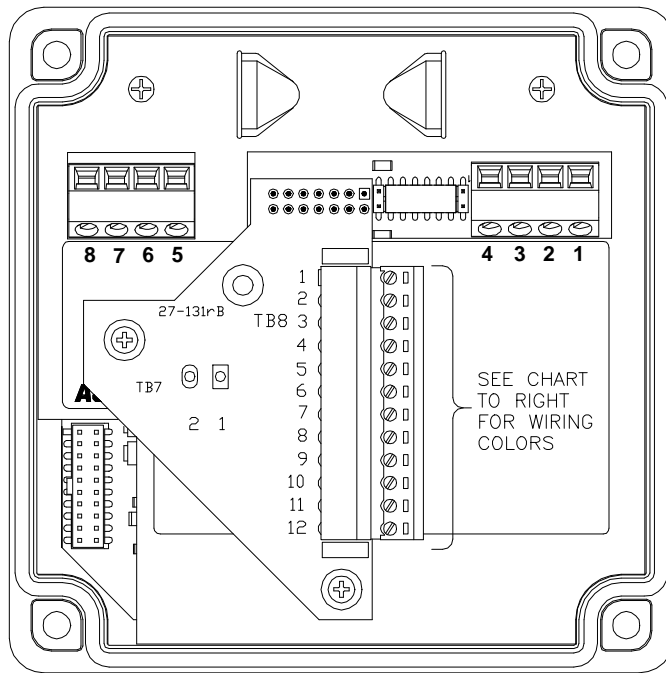
ATI-0821

**ENCLOSURE PIPE MOUNTING**



ATI-0822

**INTEGRAL TRANSMITTER WIRING**



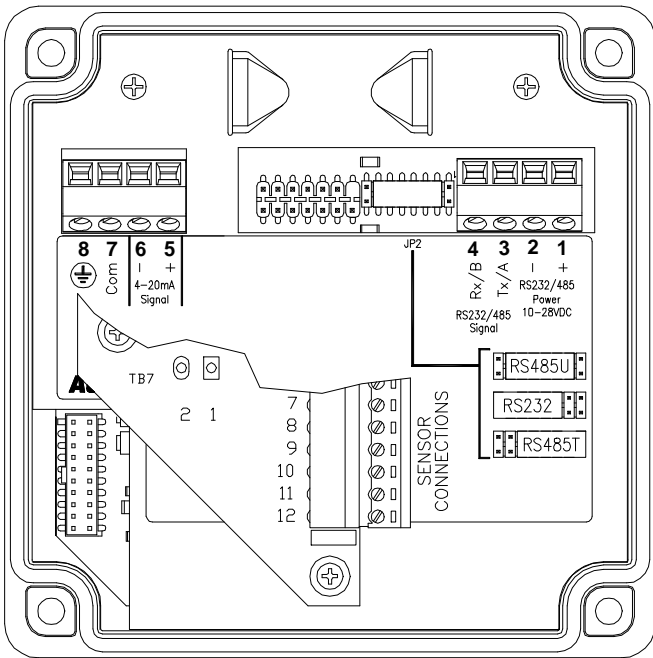
CONDUCTOR COLORS

T/B POS.	SENSOR WIRES	GENERATOR WIRES
1	WHITE	
2	YELLOW	
3	BLUE	BLUE
4	PURPLE	WHITE
5	GRAY	
6		GREEN
7	BLACK	
8	BROWN	BLACK
9	RED	RED
10	ORANGE	ORANGE
11		WHT w/BLK
12	GREEN	

ALL CONNECTIONS MADE AT FACTORY

ATI-0839

**TRANSMITTER POWER & COMMUNICATION**

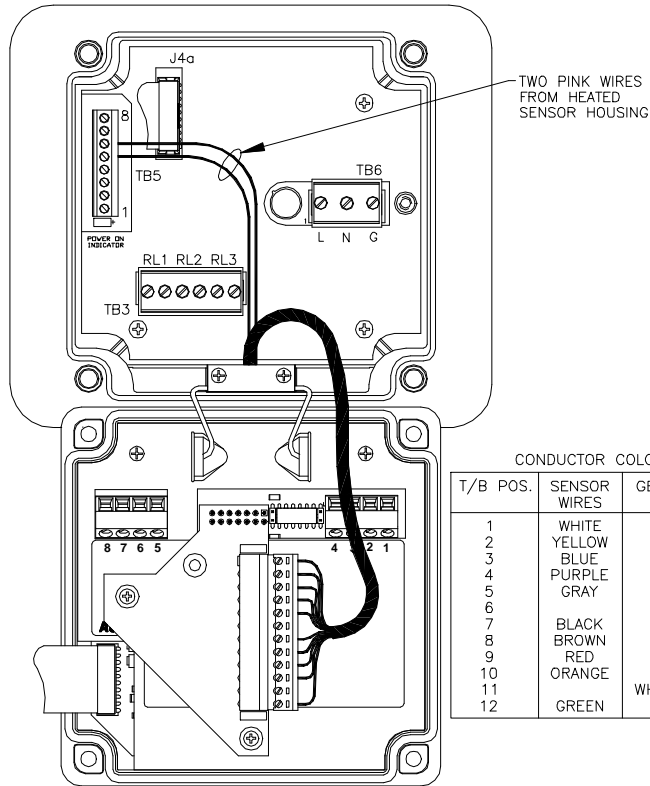


Power & Communication Terminals

Terminal	Description
1	Communication interface supply (+), 10 to 28VDC. Required for RS232 and RS485 only, not HART.
2	Communication interface supply common (-)
3	RS232 Tx, RS485 A Signal
4	RS232 Rx, RS485 B Signal
5	Transmitter current loop output (-).
6	Transmitter current loop output (-).
7	Communication interface signal common (-).
8	Earth Ground

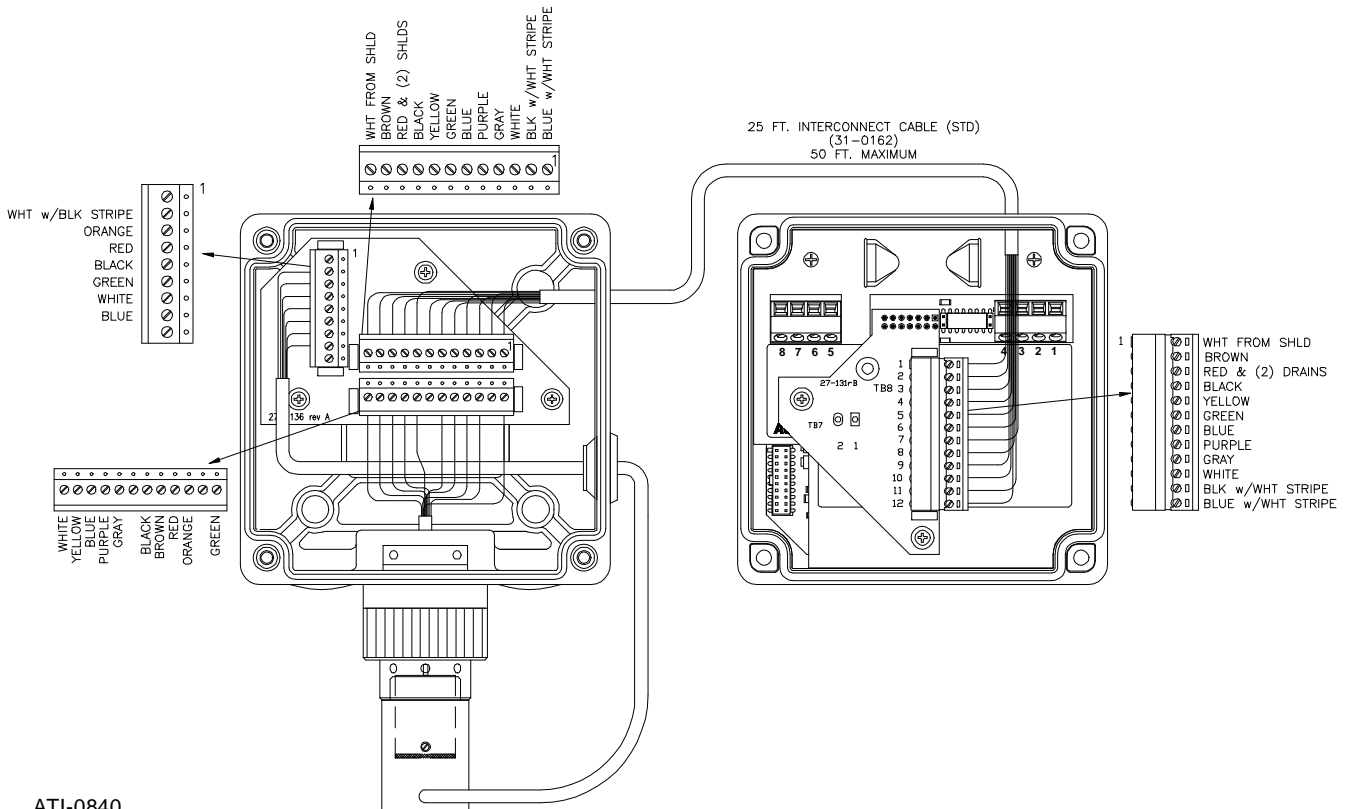
ATI-0844

**HEATED SESOR WIRING DIAGRAM**



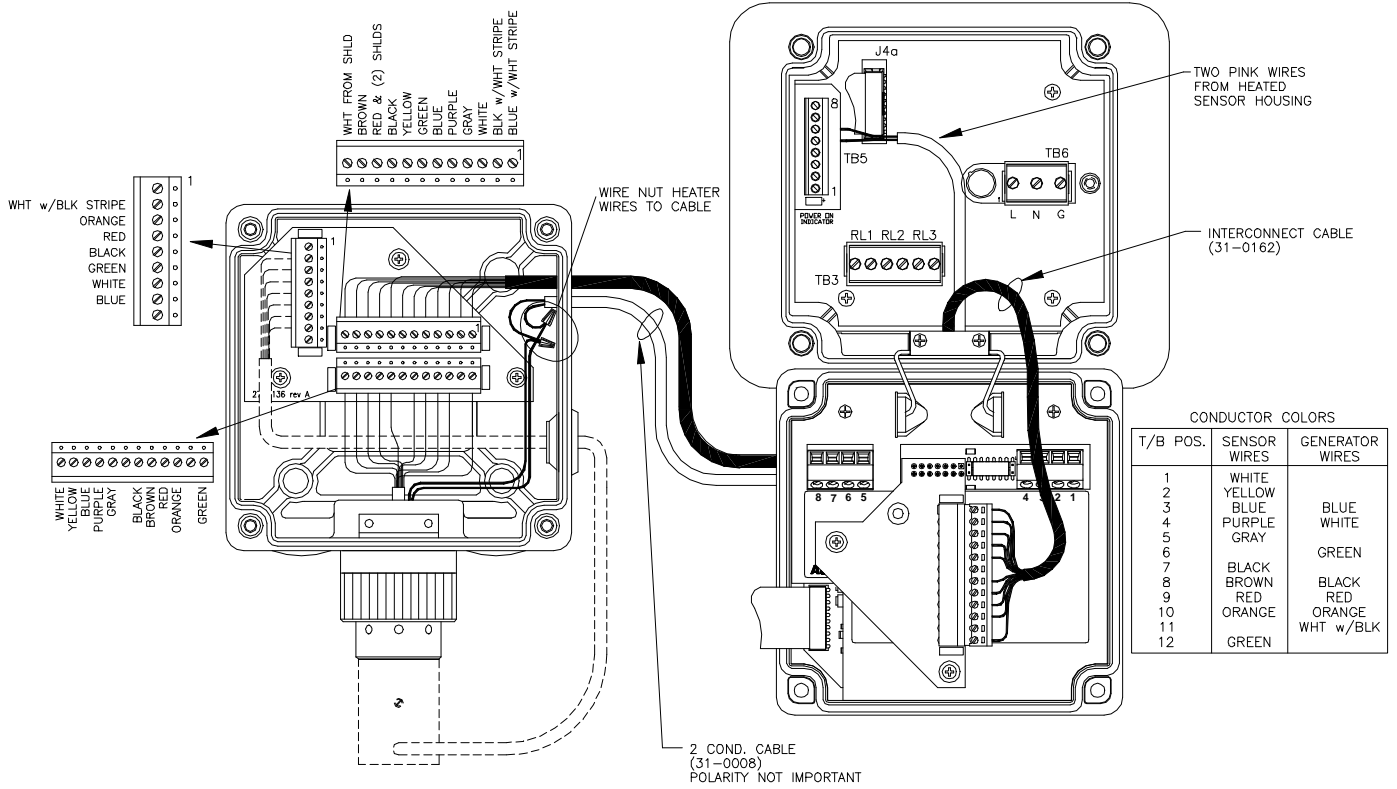
ATI-0903

**REMOTE SYSTEM INTERCONNECT WIRING DIAGRAM**



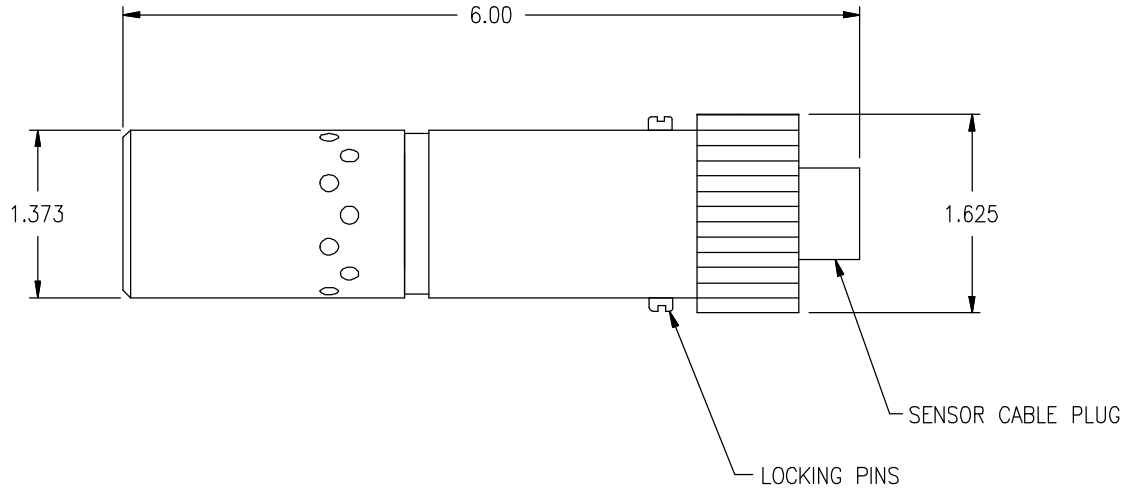
ATI-0840

**REMOTE SYSTEM (w/HEATED SENSOR) INTERCONNECT WIRING DIAGRAM**



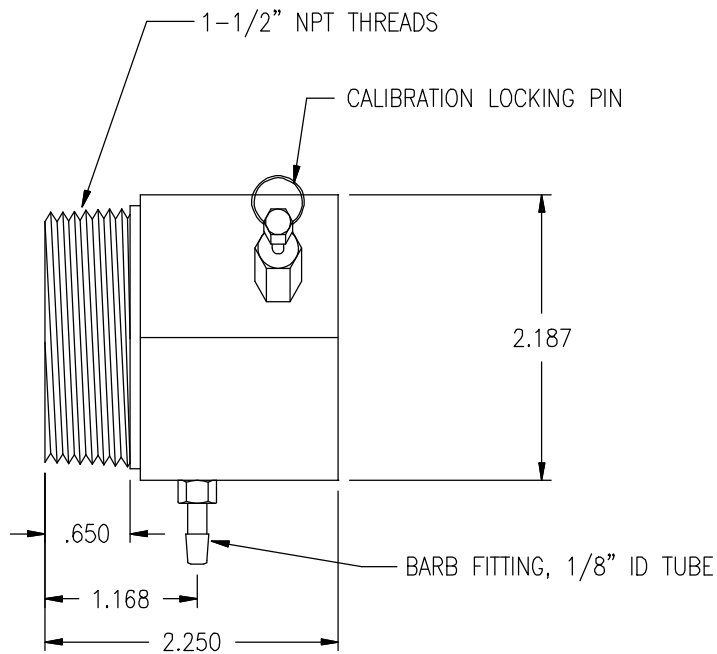
ATI-0904

**INSERTION SENSOR DIMENSIONS**



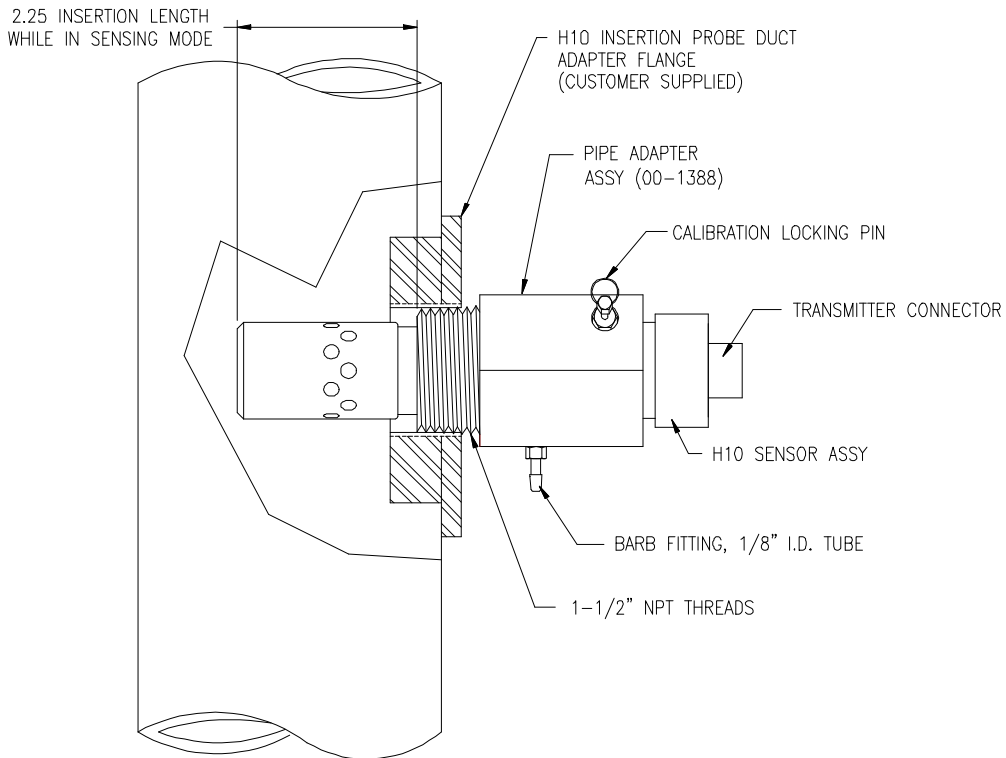
ATI-0669

**PIPE ADAPTER DIMENSIONS**



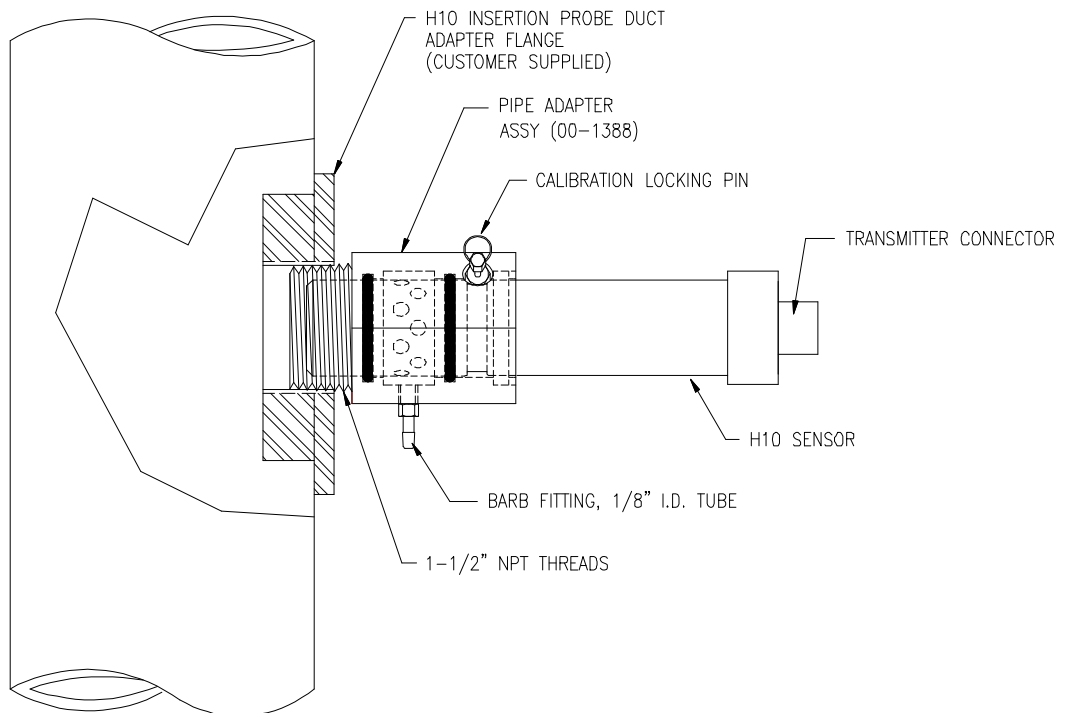
ATI-0670

**INSERTION PROBE - OPERATING MODE**



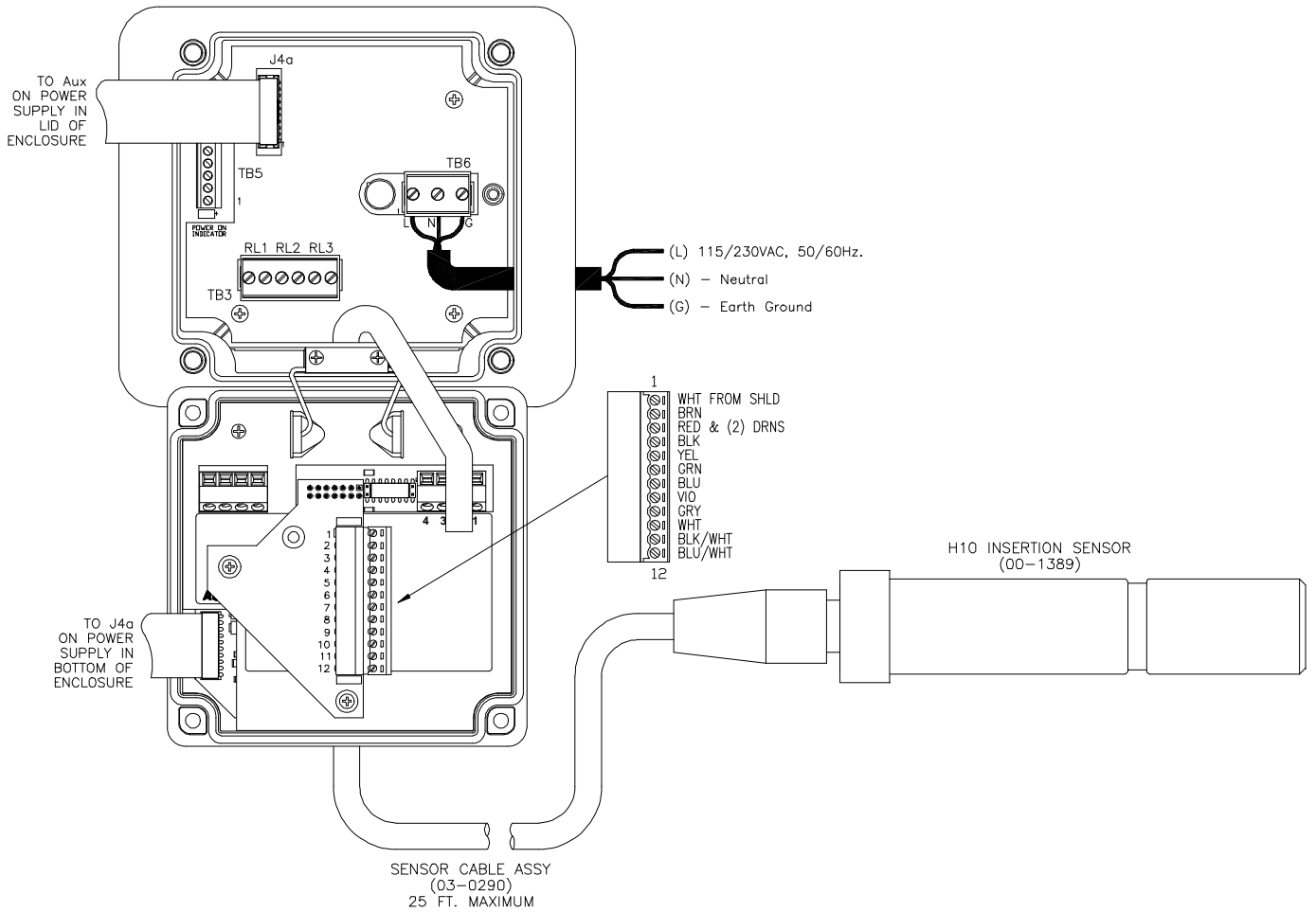
ATI-0663

**INSERTION PROBE - CALIBRATING MODE**



ATI-0664

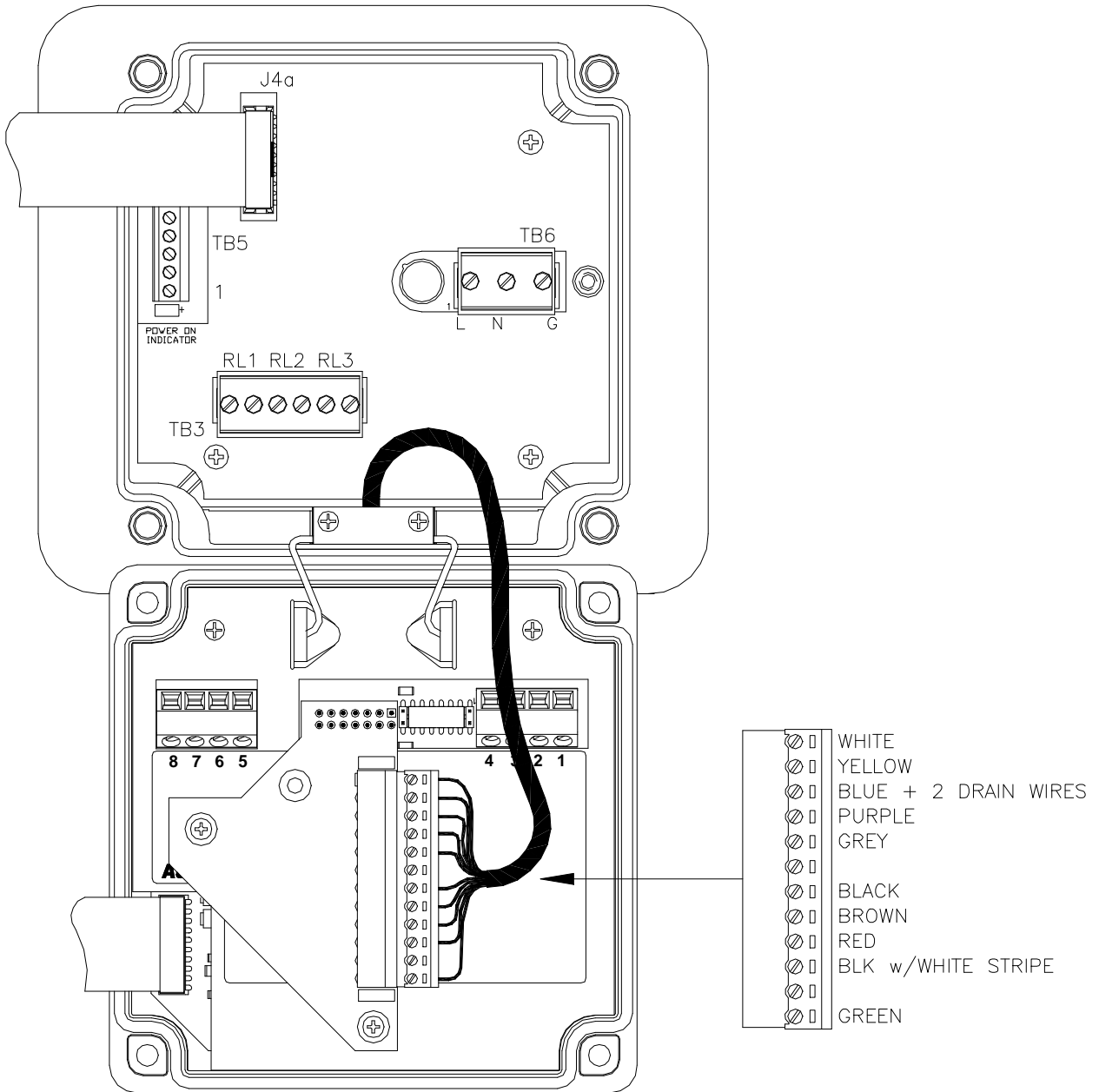
**INSERTION PROBE - WIRING DIAGRAM**



ATI-0876



**6 FT. SENSOR CABLE - WIRING DIAGRAM**



ATI-0890