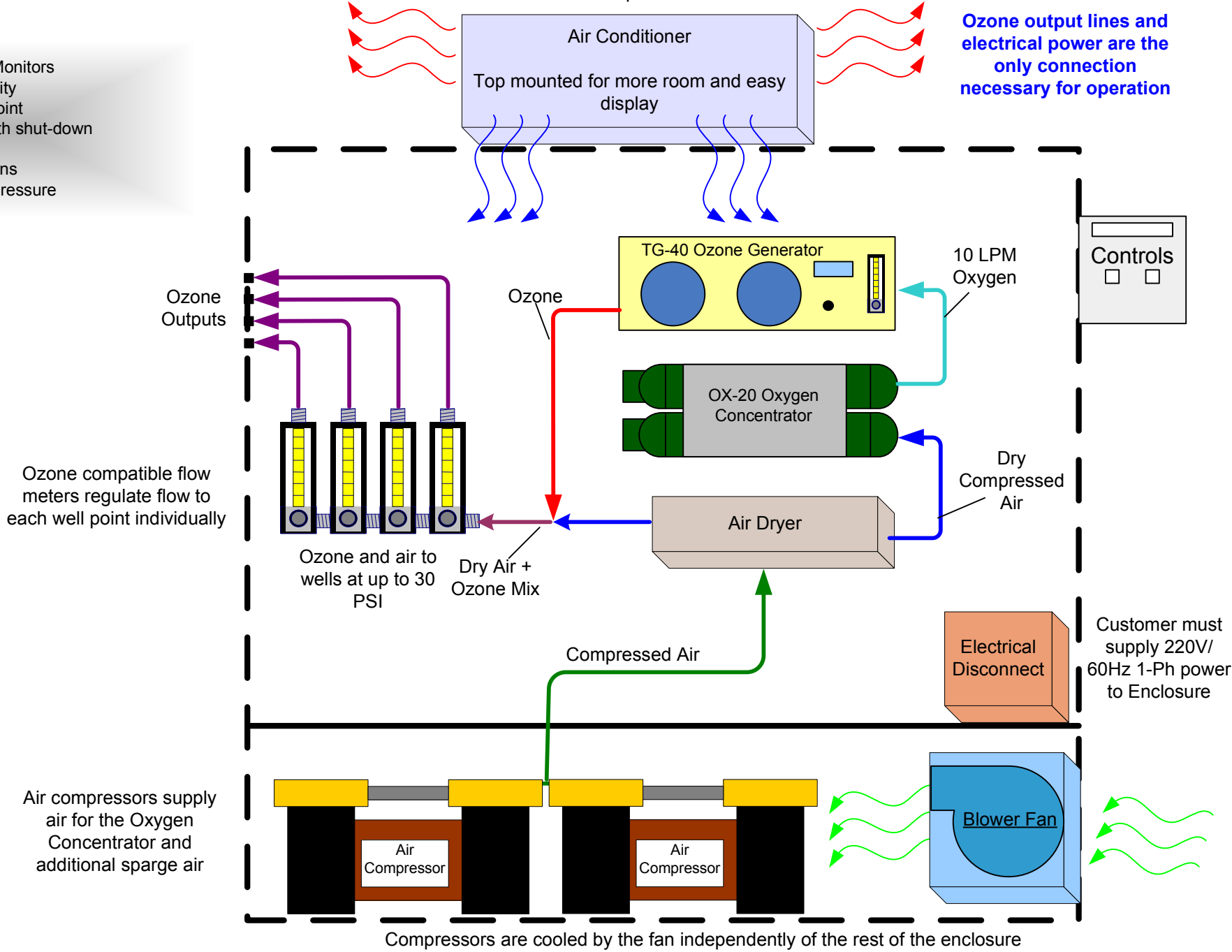


OS-150 System

All Equipment within dotted line is mounted inside weather-proof enclosure.

- System Controller Monitors
- Relative Humidity
 - Feedgas dewpoint
 - Ozone Leak with shut-down
 - Hour meter
 - No flow situations
 - Air & Oxygen Pressure



Ozone output lines and electrical power are the only connection necessary for operation

Ozone Outputs

Ozone compatible flow meters regulate flow to each well point individually

Ozone and air to wells at up to 30 PSI

Dry Air + Ozone Mix

Compressed Air

Air compressors supply air for the Oxygen Concentrator and additional sparge air

Compressors are cooled by the fan independently of the rest of the enclosure

Customer must supply 220V/ 60Hz 1-Ph power to Enclosure