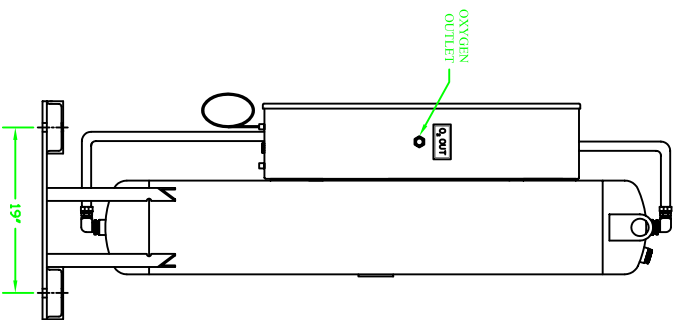
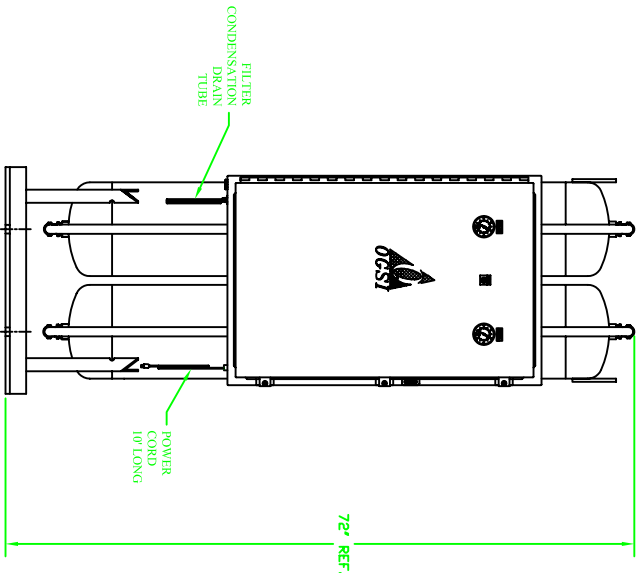
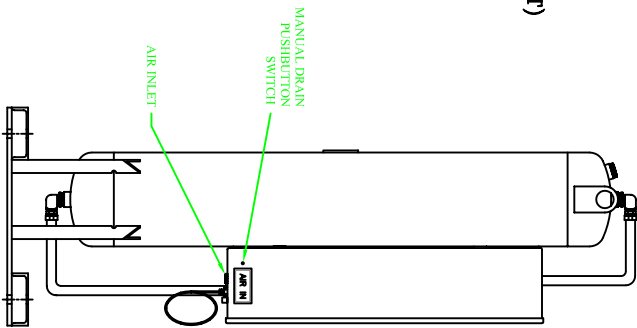
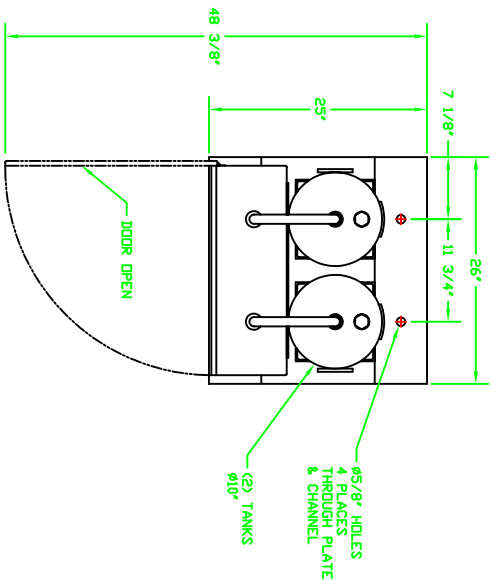


SPECS: OG-175

OXYGEN OUTPUT.....175 scf*/hr @ 45 psig
 4.6 Nm³**/hr @ 310 kPa
 DEWPOINT.....-100° F (-73° C)
 OXYGEN PURITY.....93% ± 3%
 AIR FLOW REQ.....32 scf*/min. (avg. flow) @ 90 psig
 0.84 Nm³**/min (avg. flow) @ 621 kPa
 AIR QUALITY REQ.....ISO 8573.1 CLASS 1.4.1 MINIMUM (see below)
 SOUND LEVELS.....70dba @ 1 meter
 DIMENSIONS.....26" x 25" x 72" (WxDxH)
 66cm x 64cm x 178cm
 WEIGHT.....775lbs. (352 Kg.)
 POWER.....120 VAC, 60 Hz, 50 Watts or
 220 VAC, 50 Hz, 50 Watts

AIR INLET.....3/4" FNPT BULKHEAD
 OXYGEN OUTLET.....1/4" NPT BULKHEAD
 (WITH "B" SIZE O2 NUT 9/16" - 18UNF - 2B)
 RECOMMENDED MINIMUM AIR STORAGE TANK (AST)
 SIZE.....80 GALLONS
 RECOMMENDED MINIMUM OXYGEN STORAGE TANK (OST)
 SIZE.....80 GALLONS

SPECS: ISO 8573.1 CLASS 1.4.1
 DIRT PARTICLES 1-5 MICRON.....0
 WATER PRESSURE DEWPOINT.....+37°F (940)
 (ppm.vol.) AT 100 psig
 OIL ppm (including vapor).....0.01



* A Standard Cubic Foot (SCF) is a cubic foot of gas at 14.7 psia (sea level atmospheric pressure) and 60 degrees Fahrenheit
 **A Normal Cubic Meter (Nm³) is a cubic meter of gas at 760mm Hg (sea level atmospheric pressure) and 0 degrees Celsius

REVISIONS				FILE NAME	PILOT SCALE	EFFECTIVITY OR SERIAL NO.	DRAWN BY	TITLE
REV	DESCRIPTION	DATE	CHK	ECN #	NTS		J.C. PALONE	GENERAL ARRANGEMENT
A	CHANGED AIR QUALITY REQUIRED SPEC	10/23/05	JCP	05-10-036	OG-175 GEN ARR REV A	10/30/03	1 OF 1	OG-175

OGSI
 814 Wurttiser Drive
 N. Tonawanda, NY 14120
 Phone: (716) 664-5165
 Fax: (716) 664-5173