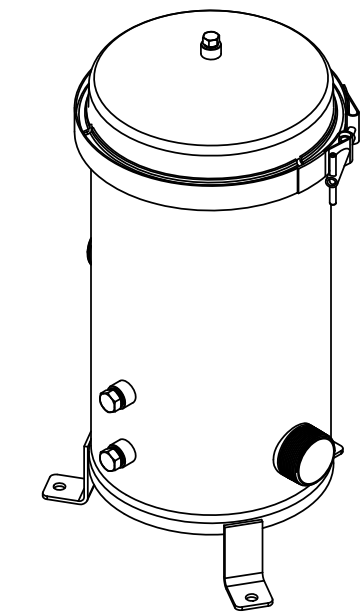


CS072-01 SHOWN



TABULATION			
PART NO.	DESCRIPTION	GLOBAL FILTER MODEL NO.	DIM A
CS072-01	FLTR HSG ASSY, GTCHB7 SER 2" MNPT, 10" 304 SS	GTCHB712M2415PC	25.50
CS072-02	FLTR HSG ASSY, GTCHB7 SER 2" MNPT, 20" 304 SS	GTCHB722M2415PC	35.50
CS072-03	FLTR HSG ASSY, GTCHB7 SER 2" MNPT, 30" 304 SS	GTCHB732M2415PC	45.50
CS072-04	FLTR HSG ASSY, GTCHB7 SER 2" MNPT, 40" 304 SS	GTCHB742M2415PC	55.50
CS072-05	FLTR HSG ASSY, GTCHB7 SER 2" MNPT, 10" 316 SS	GTCHB712M2615PC	25.50
CS072-06	FLTR HSG ASSY, GTCHB7 SER 2" MNPT, 20" 316 SS	GTCHB722M2615PC	35.50
CS072-07	FLTR HSG ASSY, GTCHB7 SER 2" MNPT, 30" 316 SS	GTCHB732M2615PC	45.50
CS072-08	FLTR HSG ASSY, GTCHB7 SER 2" MNPT, 40" 316 SS	GTCHB742M2615PC	55.50

SHIPPING WEIGHT AND SIZE MAY DIFFER FROM STATED VALUES DUE TO PALLETIZING AND QUANTITY CONSIDERATIONS

VESSEL SIZE	BOXED WEIGHT (LBS)	BOX SIZE (INCHES)
10"	49	16x16x26
20"	54	16x16x37
30"	68	16x16x57
40"	73	16x16x57

NOTES:
1. SEE SHEET 2 FOR BILL OF MATERIALS.

PROPRIETARY AND CONFIDENTIAL
THE INFORMATION CONTAINED IN THIS DRAWING IS THE SOLE PROPERTY OF GLOBAL FILTER LLC. ANY REPRODUCTION IN PART OR AS A WHOLE WITHOUT THE WRITTEN PERMISSION OF GLOBAL FILTER LLC IS PROHIBITED.

REFERENCE ENGINEERING DRAWING 21115

A		EC140818-01		POLY COAT		GLOBAL FILTER LLC TITLE: FLTR HSG ASSY, GTCHB7 SER 2" MNPT, TAB		
REV	EC NUMBER	DRAWN BY	ME	DATE	9-23-14			
EC HISTORY		ENG APPR.	EG	DATE	9-23-14	SIZE	DWG. NO.	REV
						B	CS072	A
						SCALE: 1:10	WEIGHT:	SHEET 1 OF 3

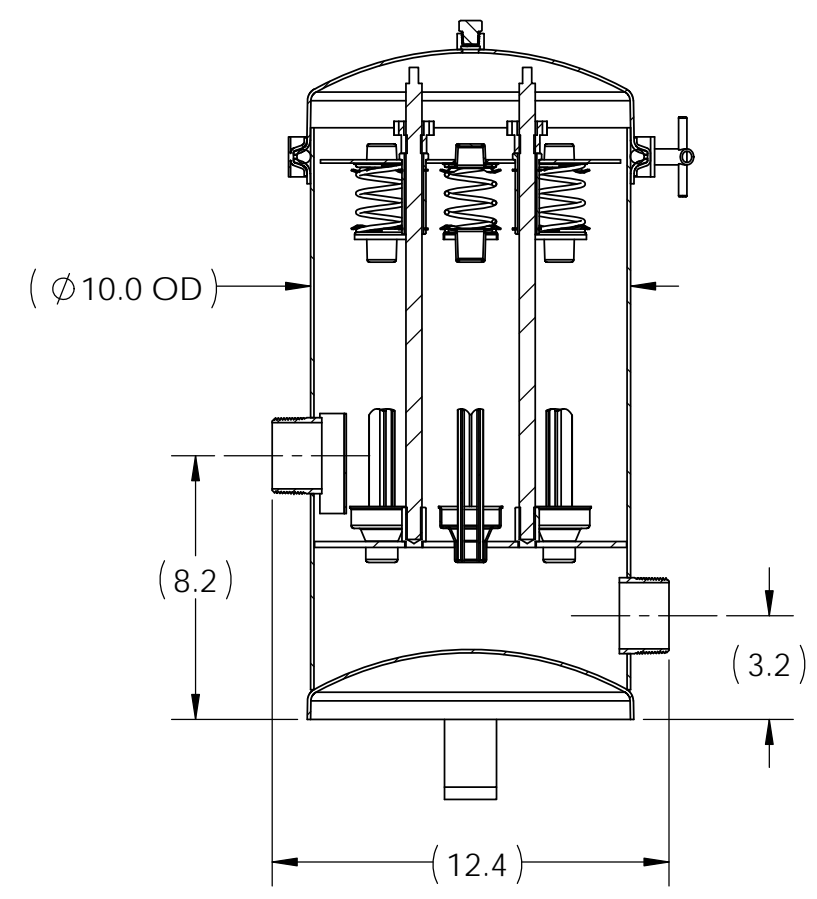
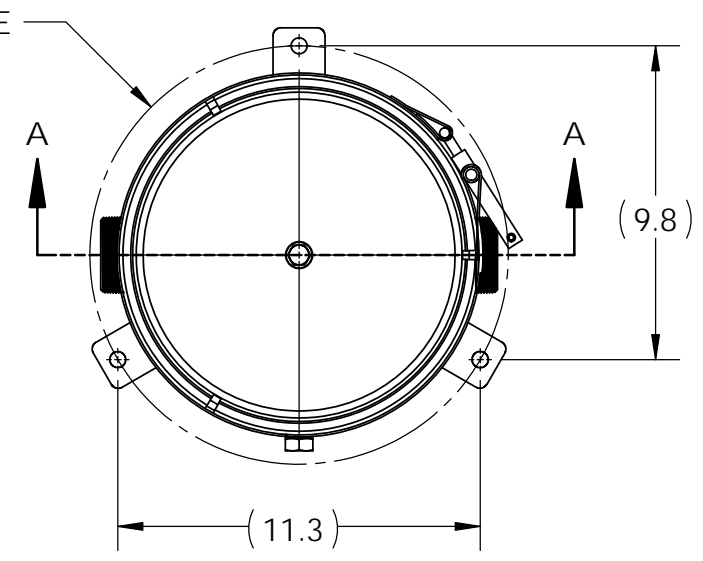
BILL OF MATERIALS

ITEM	DESCRIPTION	CS072-xx							
		-01 QTY	-02 QTY	-03 QTY	-04 QTY	-05 QTY	-06 QTY	-07 QTY	-08 QTY
1	WELDMENT, FILTER HSG, GTCHB7 RND 304 SS, 10"	1							
	WELDMENT, FILTER HSG, GTCHB7 RND 304 SS, 20"		1						
	WELDMENT, FILTER HSG, GTCHB7 RND 304 SS, 30"			1					
	WELDMENT, FILTER HSG, GTCHB7 RND 304 SS, 40"				1				
	WELDMENT, FILTER HSG, GTCHB7 RND 316 SS, 10"					1			
	WELDMENT, FILTER HSG, GTCHB7 RND 316 SS, 20"						1		
	WELDMENT, FILTER HSG, GTCHB7 RND 316 SS, 30"							1	
	WELDMENT, FILTER HSG, GTCHB7 RND 316 SS, 40"								1
2	V POST, GTCHB SERIES, 10" 304 SS	7							
	V POST, GTCHB SERIES, 20" 304 SS		7						
	V POST, GTCHB SERIES, 30" 304 SS			7					
	V POST, GTCHB SERIES, 40" 304 SS				7				
	V POST, GTCHB SERIES, 10" 316 SS					7			
	V POST, GTCHB SERIES, 20" 316 SS						7		
	V POST, GTCHB SERIES, 30" 316 SS							7	
	V POST, GTCHB SERIES, 40" 316 SS								7
3	TIE ROD, GTCHB SERIES, 10" 304 SS	2							
	TIE ROD, GTCHB SERIES, 20" 304 SS		2						
	TIE ROD, GTCHB SERIES, 30" 304 SS			2					
	TIE ROD, GTCHB SERIES, 40" 304 SS				2				
	TIE ROD, GTCHB SERIES, 10" 316 SS					2			
	TIE ROD, GTCHB SERIES, 20" 316 SS						2		
	TIE ROD, GTCHB SERIES, 30" 316 SS							2	
	TIE ROD, GTCHB SERIES, 40" 316 SS								2
4	HOLD DOWN PLATE, GTCHB7, 304 SS	1	1	1	1				
	HOLD DOWN PLATE, GTCHB7, 316 SS					1	1	1	1
5	HOLD DOWN PLATE POST W/ EXT RET RING KIT, 304 SS	2	2	2	2				
	HOLD DOWN PLATE POST W/ EXT RET RING KIT, 316 SS					2	2	2	2
6	SPRING ASSEMBLY, CARTRIDGE VESSELS, 304 SS	7	7	7	7				
	SPRING ASSEMBLY, CARTRIDGE VESSELS, 316 SS					7	7	7	7
7	TIE ROD NUT, GTCHB SERIES, 304 SS	2	2	2	2				
	TIE ROD NUT, GTCHB SERIES, 316 SS					2	2	2	2
8	O-RING, 199.5mm ID 11mm CS, BUNA	1	1	1	1	1	1	1	1
9	LID WELDMENT, GTCHB7 Series, 304 SS	1	1	1	1				
	LID WELDMENT, GTCHB7 Series, 316 SS					1	1	1	1
10	V-BAND CLAMP, GTCHB SERIES, 7 RND	1	1	1	1	1	1	1	1
11	PIPE PLUG, 1/2", HEX HEAD, 304 SS	2	2	2	2				
	PIPE PLUG, 1/2", HEX HEAD, 316 SS					2	2	2	2
12	PIPE PLUG, 1/4", HEX HEAD, 304 SS	1	1	1	1				
	PIPE PLUG, 1/4", HEX HEAD, 316 SS					1	1	1	1

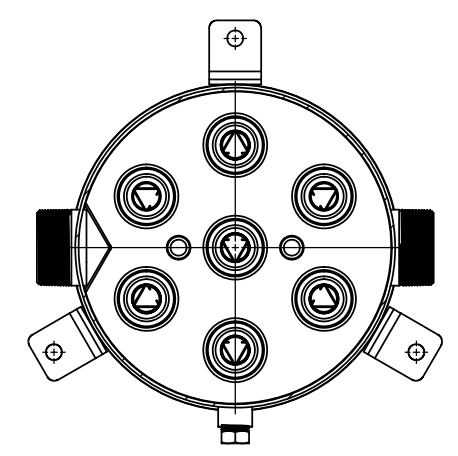
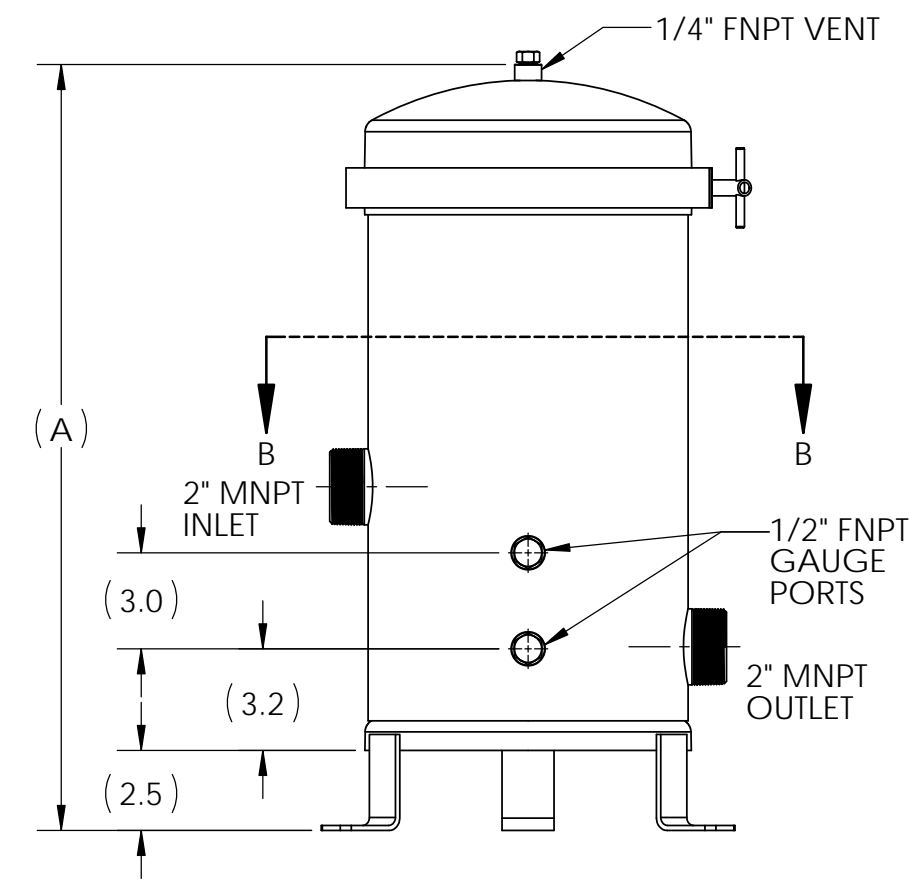
SIZE B	DWG. NO. CS072	REV A
SCALE: 1:1	WEIGHT:	SHEET 2 OF 3

8 7 6 5 4 3 2 1

3x ϕ .50
MOUNTING HOLE
ON ϕ 13.1 B.C.



SECTION A-A



SECTION B-B

SIZE B	DWG. NO. CS072	REV A
SCALE: 1:6	WEIGHT:	SHEET 3 OF 3

8 7 6 5 4 3 2 1