

Ingersoll Rand

Rotary Screw Compressor

Ozone Solutions is a full line Ingersoll Rand dealer and can supply all your compressed air needs for. Using our services for all your ozone feed gas needs simplifies your system.



Features

- 7.5 hp rotary Screw Compressor
- Rotary Screw design is very efficient
- Lowest Total ownership cost
- Very quiet Operation only 65 dBA
- Built in reffridgerant dryer
- Integrated heat exchanger
- Mounted to 80 gallon tank
- Total System provides clean dry air in one package
- Automatic drain removes all trapped moisture
- Dust Filters remove all dirt and dust from the air
- Rated for 100% duty cycle

Product ID: **UP6-7.5TAS**

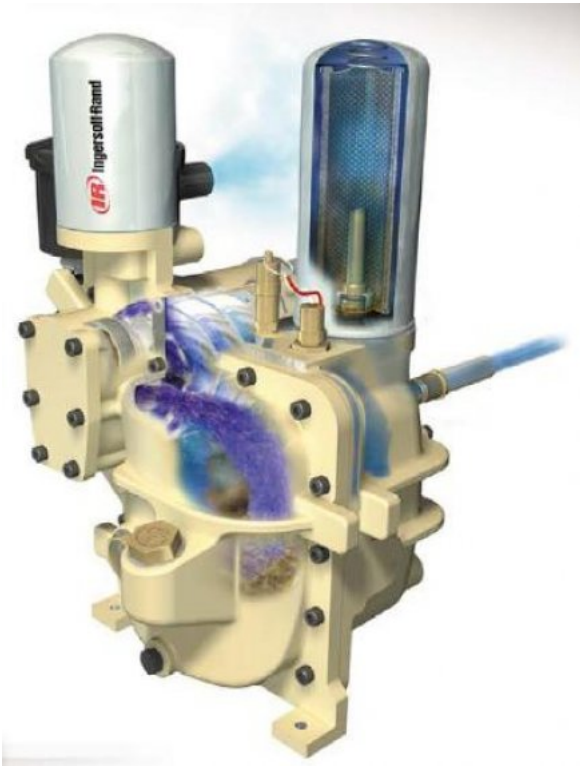
Stock: **Yes**

Price: **\$6,795.00**

Specifications

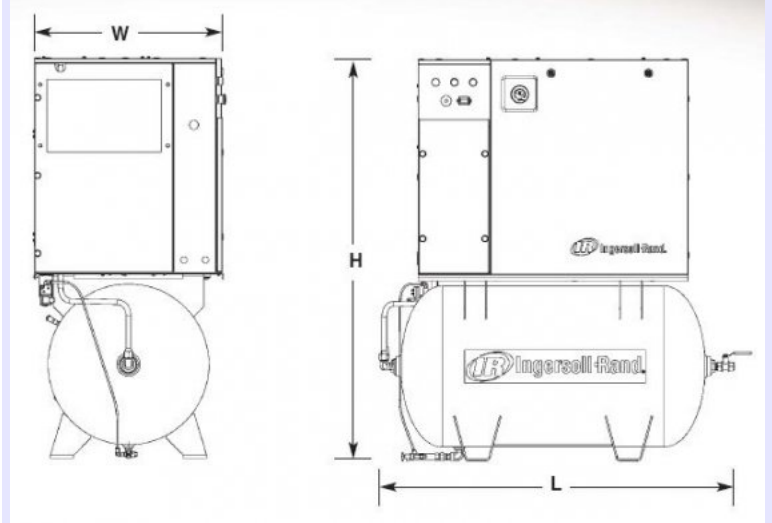
Air Flow Rate	28 ACFM
Max Pressure	125
Motor size	7.5 HP
Sound Levels	65 dBA
Filters	2 coelsing filter to remove dust, dirt, and oil
Filtration	Particulate filtering to 1 micron, oil filtering to 0.1 micron
Piping	Simplified piping to elinimate potential leaks
Motor Dive	Automatic unloader allows compressor to run while not producing air to save power
Dryer	Reffridgerant dryer dries all air to 39-deg F Dewpiont
Tank	80 gallons, 120 gallon avaiable
Warranty:	1 Year Package Warratny
Dimensions (W x D x H)	54 x 29 x 61
Weight	950

Air End Unit



High Efficiency Integrated Compression Module
To provide maximum performance, efficiency and ease of service, the air end, interconnecting piping and separation system have all been integrated into one simple design. Integration of the compression module eliminates leaks and pressure losses to increase efficiency and performance. Service and maintenance are made extremely easy through spin-on oil and separator cartridges.

Dimensions



Height - 60 inches
Width - 28.9 inches
Length - 53.6 inches