

Ozone Pump

Low Cost SS Ozone Pump

Single head ozone compatible pump ensures you can get ozone into pressurized water lines. Low cost & reliable are pump qualities



Features

- ozone compatible
- 316 SS & PTFE Heads
- can start under load
- compact for tight spaces
- excellent for lab & research applications

Product ID: **OZC-271**

Lead Time: **1 week**

Price: **\$1,195.00**

Specifications

Wetted Materials PTFE diaphragms, 316L stainless steel heads & Hardened PTFE valve discs

Inlet & Outlet Ports 1/4" FPT

Motor Type 1/3 Hp TEFC

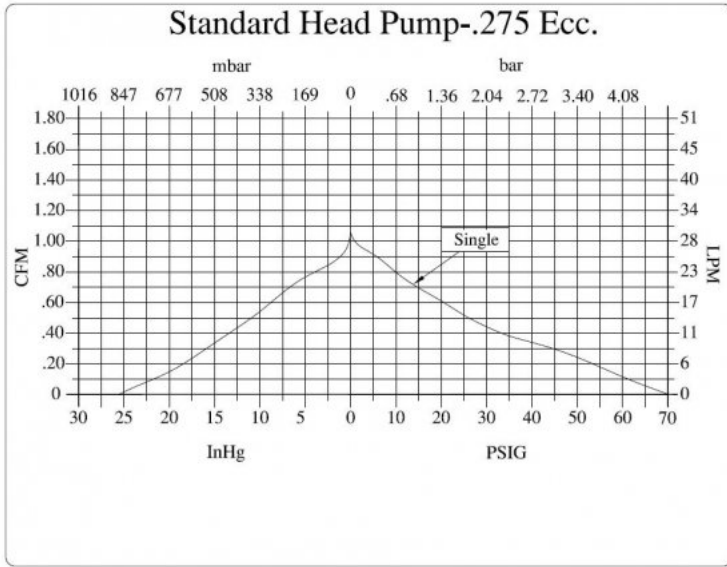
Open Flow 1.0 CFM (28 lpm) (see chart)

Flow at 40 PSI 16-SCFH (8 lpm) (see chart)

Dimensions: 7-in x 73.5-in x 10-in (WxHxL) 18-cm x 19-cm x 26-cm

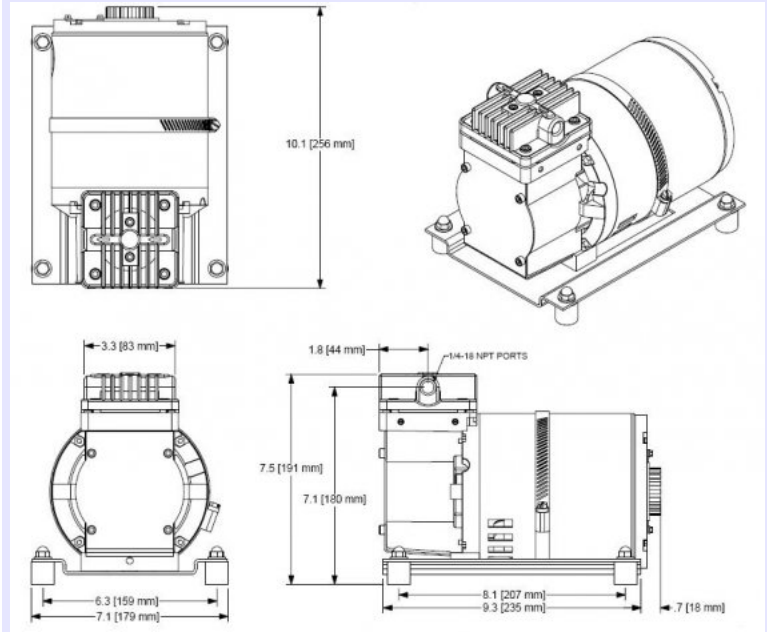
Weight: 30-lbs (13 kg)

OZC-271 Performance Chart



Charts shows vacuum & pressure performance as a function of pressure.

OZC-271 Dimensions



Top, plan, side & isometric views of the OZC-271 ozone compressor.