

Ozone Pump

Low Cost SS Ozone Pump

Single head ozone compatible pump ensures you can get ozone into pressurized water lines. Low cost & reliable are pump qualities



Features

- ozone compatible
- 316 SS & Teflon Heads
- can start under load
- compact for tight spaces
- excellent for lab & research applications

Product ID: **OZC-271 Rental**
 Stock: **Yes**

Specifications

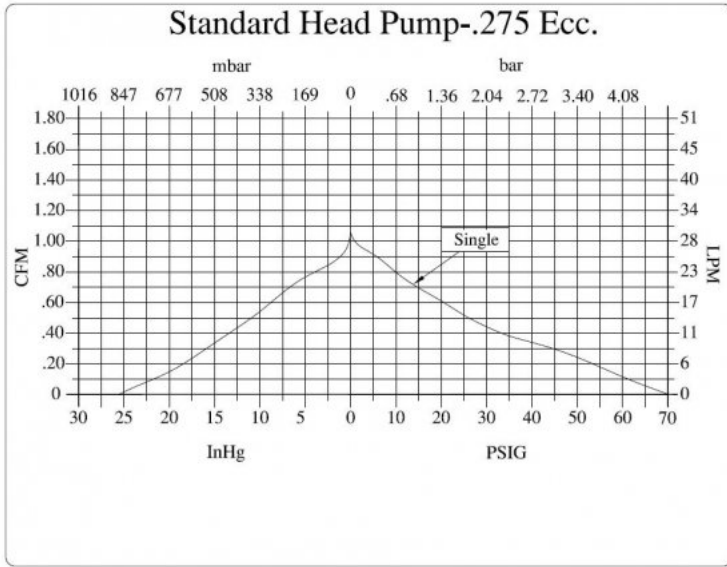
Rental Information

Rental Terms:	Rental period starts when unit arrives, and ends when it is shipped back. The shipping time does not count against the rental period.
Availability:	We have 1 OZC-271 Compressor for rent. Please call to ensure availability or to schedule a delivery date.
Return Shipping:	The OZC-271 is shipped in a sturdy box, with all reusable shipping materials. Simply repackage the OZC-271 and ship back via and standard parcel service.
Shipping Method:	System ships via UPS, Fed-Ex, or USPS in a heavy duty cardboard box with completely reusable shipping materials.
Shipping Cost:	Please use the calculate shipping option on the top of this page.
Shipping Weight:	35 lbs

Product Specifications

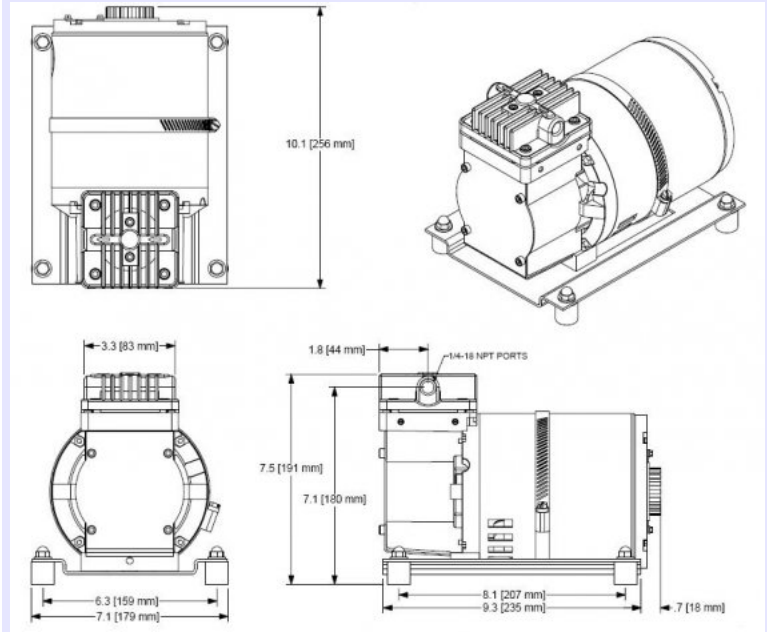
Wetted Materials	PTFE Teflon diaphragms, 316L stainless steel heads & Hardened Teflon valve discs
Inlet & Outlet Ports	1/4" FPT
Motor Type	1/3 Hp TEFC
Open Flow	1.0 CFM (28 lpm) (see chart)
Flow at 40 PSI	16-SCFH (8 lpm) (see chart)
Dimensions:	7-in x 73.5-in x 10-in (WxHxL) 18-cm x 19-cm x 26-cm
Weight:	30-lbs (13 kg)

OZC-271 Performance Chart



Charts shows vacuum & pressure performance as a function of pressure.

OZC-271 Dimensions



Top, plan, side & isometric views of the OZC-271 ozone compressor.