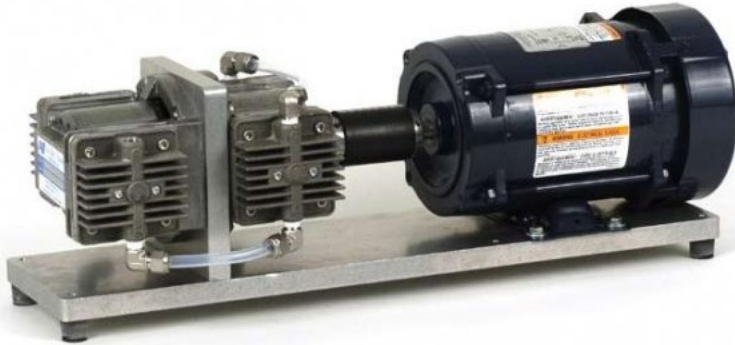


# Ozone Compatible Pump

## 4-head ozone compressor

These rugged ozone pumps can withstand the test of time. Can handle wet ozone or dry ozone and operate for months without stopping.



### Features

- designed specifically for ozone
- can handle ozone concentrations up to 14%
- quite oilless operation
- PTFE Diaphragm, 316L SS heads
- 1/2 Hp motor can start under load
- motor available in any voltage & frequency

Product ID: **OZC-224**

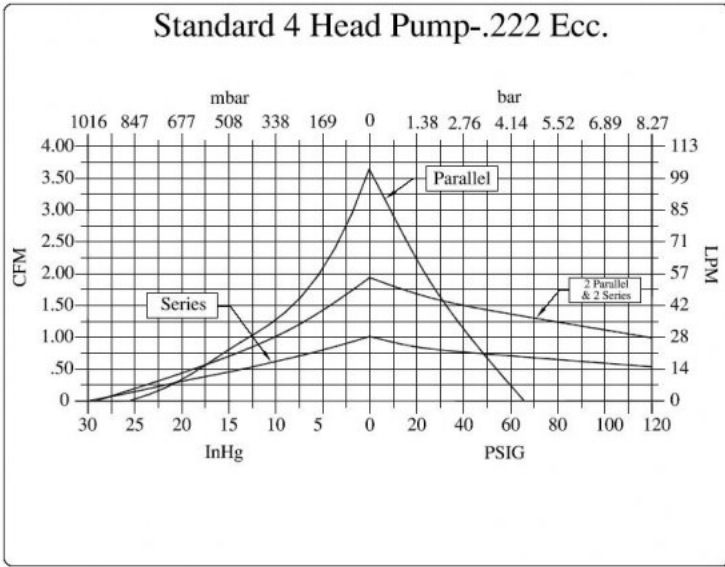
Stock: **Yes**

Price: **\$3,195.00**

### Specifications

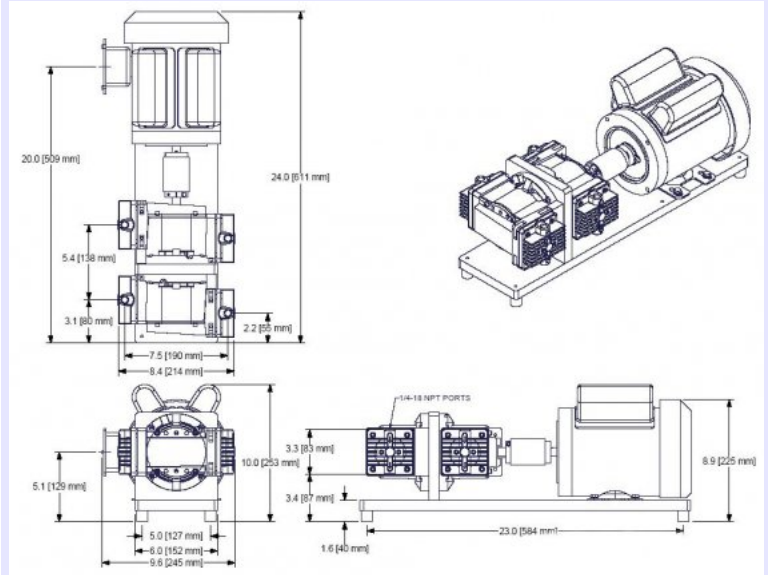
Wetted Materials	PTFE diaphragm, 316L stainless steel heads & Hardened PTFE valves
Inlet & outlet ports	1/4" FPT
Motor Type	1/2 Hp General Electric TEFC (1750 RPM)
Open Flow	2.5 CFM (70.7 lpm) in parallel connection (see chart)
Flow at 100 PSI	1.2 CFM (34 lpm) in series connection (see chart)
Electrical Motor Options	120V/60Hz, 220V/50Hz, 240V/50Hz 1-Phase or 3-Phase available
Dimensions	8.4-in x 7.75-in x 25.9-in (W x H x L) 21-cm x 20-cm x 66-cm
Weight	65-lbs (29.5 kg)

## OZC-224 Performance Chart



See how different head connections affect ozone pump flow & pressure. Ozone Pump can pull almost a full atmosphere of vacuum, or exert 100-PSI of ozone pressure.

## OZC-224 Drawing



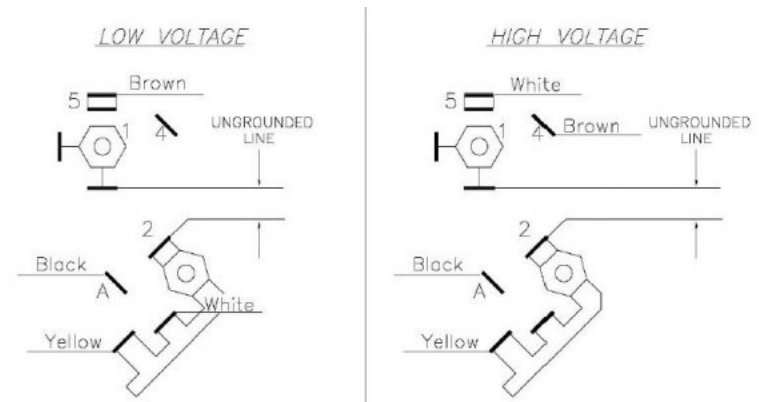
Drawing shows plan, elevated, side & isometric view of the ozone pump.

## OZC-224 Head Connections

Head Connection Schematic	Description
	Quad headed pump, all heads in parallel.
	Quad headed pump, all heads in series.
	Quad headed pump, parallel connection of two pairs of heads in series.

The many different type of head setups allow for varying pressures & flowrates. The setups correspond to the different curves on the OZC-224 flowrate chart.

## OZC-224 Wiring Diagram



General purpose wiring diagram for low (110V) or high (230V) voltage.