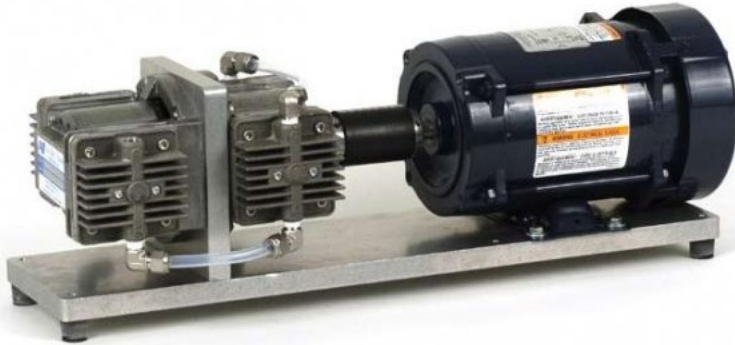


High Flow Ozone Compatible Pump

4-head high flow ozone pump

These rugged ozone pumps can withstand the test of time. Can handle wet ozone or dry ozone and operate for months without stopping.



Features

- compression chamber designed specifically for high concentration ozone gas
- can handle ozone concentrations up to 14%
- oilless operation
- PTFE Diaphragms, 316L SS heads
- 1 Hp motor can start under load
- motor available in any voltage & frequency for easy overseas implementation

Product ID: **OZC-224-HS**

Lead Time: **1 week**

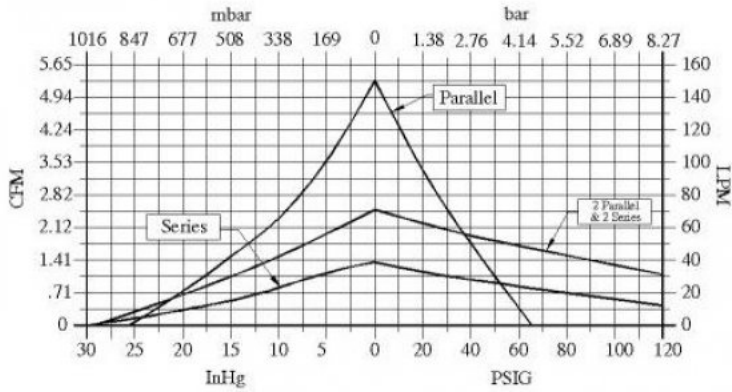
Price: **\$3,495.00**

Specifications

Wetted Materials	PTFE diaphragm, 316L stainless steel heads & Hardened PTFE valves
Inlet & outlet ports	1/4 FNPT
Motor Type	1 Hp General Electric ODP (3450 RPM)
Open Flow	5.0 CFM (141.5 lpm) in parallel connection (see chart)
Flow at 100 PSI (7 bar)	1.45 CFM (41 lpm) in series connection (see chart)
Electrical Motor Options	120V/60Hz, 220V/50Hz, 240V/50Hz 1-Phase or 3-Phase available
Ultimate Vacuum	29.5-in Hg (1000 Mbar)
Dimensions	8.4-in x 7.75-in x 25.9-in (W x H x L) 21-cm x 20-cm x 66-cm
Weight	65-lbs (29.5-kg)

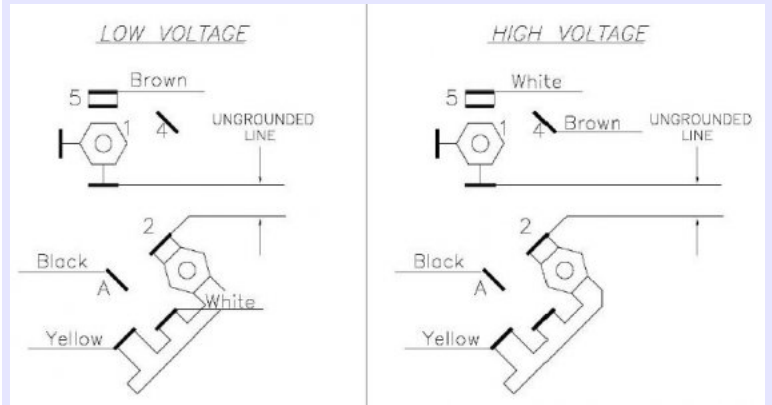
OZC-224-HS Pressure Chart

Standard 4 Head Pump-Hi Speed .222 Ecc.



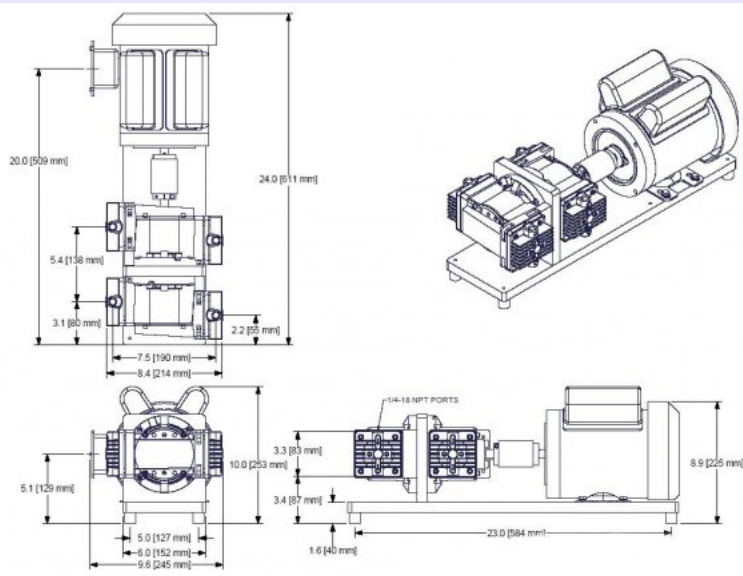
Ozone Pump can pull almost a full atmosphere of vacuum, or exert 100-PSI of ozone pressure. See how different head connections affect ozone pump flow & pressure.

OZC-224 Wiring Diagram



General purpose wiring diagram for low (110V) or high (230V) voltage.

OZC-224-HS Drawing



Drawing shows plan, elevated, side & isometric view of the ozone pump OZC-224-HS.