

Ozone Compatible Flowmeters

Ozone Flowmeter

Ozone Resistant Flowmeters to ensure accurate measurement of ozone gas. Flow ranges available from 100 ml/min up to 1 SCFM of flowrate.

Flowmeters constructed with an aluminum body using Viton, PTFE, and Kel-F seals.



Features

- Aluminum Body Flowmeter
- Ozone Compatible Flowmeter
- Available in 6-in or 11-in scales
- Many flow ranges available
- excellent accuracy (+/- 2%)
- excellent for research & laboratory applications
- Completely stainless steel flow meters are also available
- Other ranges available call for details

Product ID: **FM**
 Stock: **Yes**
 Price: **\$119.00**

Specifications

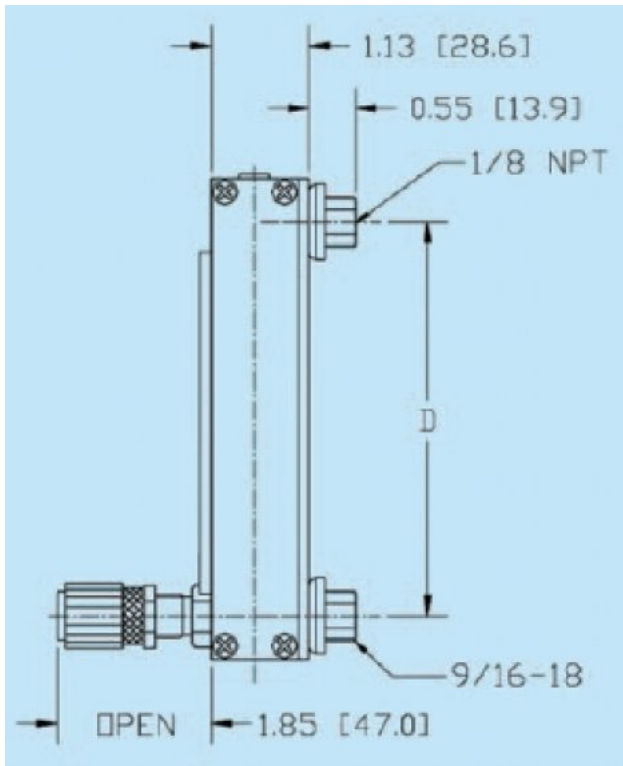
Inlet/Outlet - 6-inch	1/8-in FNPT
Inlet/Outlet - 11-inch	1/4-in FNPT
Wetted Materials	Glass, Viton, PTFE, Aluminum
Tube Interchangeable	Yes
Restrictions	Ozone gas must be dry - no moisture present
Availability:	The flow ranges shown are normally stocked items. Other flow ranges are available with a lead time of about 2 weeks. Call for details.

Purchase Online

Select the style and flow range that suits your needs and add the flowmeter to your cart.

*	Style	Part #	Flow Range	Price	Add to Cart
44525	6 inch	FM-6-1	0-1 LPM	Online Pricing	Buy Online!
44525	6 inch	FM-6-2	0-2 LPM	Online Pricing	Buy Online!
44525	6 inch	FM-6-4	0-4 LPM	Online Pricing	Buy Online!
44525	6 inch	FM-6-10	0-10 LPM	Online Pricing	Buy Online!
44525	6 inch	FM-6-16	0-16 LPM	Online Pricing	Buy Online!
44525	6 inch	FM-6-25	0-25 LPM	Online Pricing	Buy Online!
44525	6 inch	FM-6-40	0-40 LPM	Online Pricing	Buy Online!
44526	11 inch	FM-11-1	0-1 LPM	Online Pricing	Buy Online!
44526	11 inch	FM-11-2.5	0-2.5 LPM	Online Pricing	Buy Online!
44526	11 inch	FM-11-5	0-5 LPM	Online Pricing	Buy Online!
44526	11 inch	FM-11-10	0-10 LPM	Online Pricing	Buy Online!
44526	11 inch	FM-11-16.5	0-16.5 LPM	Online Pricing	Buy Online!
44526	11 inch	FM-11-23	0-23 LPM	Online Pricing	Buy Online!
44526	11 inch	FM-11-60	0-60 LPM	Online Pricing	Buy Online!

Flowmeter Dimensions



See the individual ozone compatible flowmeter dimensions. Compact size ensures integration into almost any setup. [D = 8.8-in for 11-in flowmeter] [D= 4.5-in for 6-in flowmeter]

NIST Calibration



Each flowmeter is calibrated to NIST [National Institute of Standards and Technology] traceable flow standards.