

Ozone Compatible Flowmeters

Ozone Flowmeter

Ozone Resistant Flowmeters to ensure accurate measurement of ozone gas. Flow ranges available from 100 ml/min up to 1 SCFM of flowrate.

Flowmeters constructed with an aluminum body using Viton, Teflon, and Kel-F seals.



Features

- completely ozone compatible
- 6-in or 11-in models available
- excellent accuracy (+/- 2%)
- several ranges available (LPM or SCFH units)
- excellent for research & laboratory applications
- Other ranges available call for details
- Completely stainless steel flow meters are also available

Product ID: **FM-Flowmeter**
Stock: **Yes**

Specifications

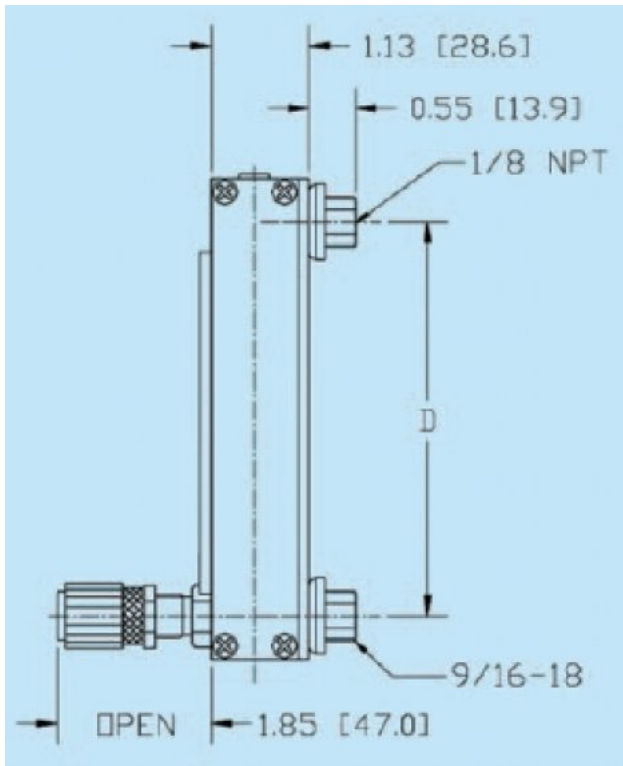
Inlet/Outlet - 6-inch	1/8-in FNPT
Inlet/Outlet - 11-inch	1/4-in FNPT
Wetted Materials	Glass, Viton, Teflon, Aluminum
Tube Interchangeable	Yes
Restrictions	Ozone gas must be dry - no moisture present
Availability:	The flow ranges shown are normally stocked items. Other flow ranges are available with a lead time of about 2 weeks. Call for details.

Purchase Online

Select the style and flow range that suits your needs and add the flowmeter to your cart.

*	Style	Part #	Flow Range	Price	Add to Cart
44525	6"	FM-6-1	0-1 LPM	Online Pricing	Buy Online!
44525	6"	FM-6-2	0-2 LPM	Online Pricing	Buy Online!
44525	6"	FM-6-4	0-4 LPM	Online Pricing	Buy Online!
44525	6"	FM-6-10	0-10 LPM	Online Pricing	Buy Online!
44525	6"	FM-6-16	0-16 LPM	Online Pricing	Buy Online!
44525	6"	FM-6-25	0-25 LPM	Online Pricing	Buy Online!
44525	6"	FM-6-40	0-40 LPM	Online Pricing	Buy Online!
44526	11"	FM-11-1	0-1 LPM	Online Pricing	Buy Online!
44526	11"	FM-11-16.5	0-16.5 LPM	Online Pricing	Buy Online!
44526	11"	FM-11-23	0-23 LPM	Online Pricing	Buy Online!
44526	11"	FM-11-60	0-60 LPM	Online Pricing	Buy Online!
44526	11"	FM-11-100	0-100 LPM	Online Pricing	Buy Online!

Flowmeter Dimensions



See the individual ozone compatible flowmeter dimensions. Compact size ensures integration into almost any setup. [D = 8.8-in for 11-in flowmeter] [D= 4.5-in for 6-in flowmeter]

NIST Calibration



Each flowmeter is calibrated to NIST [National Institute of Standards and Technology] traceable flow standards.