

Ozone Compatible Stainless Steel Check Valves

Ozone Resistant Check Valves

Ozone Compatible stainless steel check valves ensure that liquid does not flow in an undesired direction. These are the best check valves money can buy.

Features

- ozone resistant 316L stainless steel body
- low crack pressure
- many NPT sizes available
- tight shut-off with liquid media
- SS spring to ensure tight seal



Product ID: **CVSS**
 Stock: **Yes**

Specifications

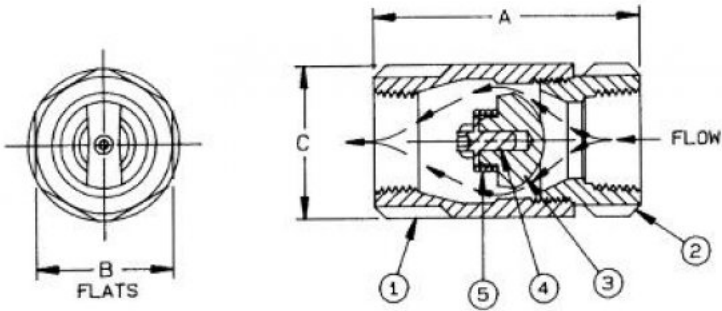
Wetted Materials Viton Seal, 316L SS Spring & Body

Maximum pressure 200 PSI @ 180-deg F

Crack Pressure 0.5 PSI (0.034 bar)

Model #	Connections (FNPT)	Crack Pressure	Length (In.)	Price	*
CVSS-4	1/4-in	0.5 PSI	2.06	Online Pricing	Buy Online!
CVSS-6	3/8-in	0.5 PSI	2.12	Online Pricing	Buy Online!
CVSS-8	1/2-in	0.5 PSI	2.31	Online Pricing	Buy Online!
CVSS-12	3/4-in	0.5 PSI	2.87	Online Pricing	Buy Online!
CVSS-16	1-in	0.5 PSI	3.50	Online Pricing	Buy Online!

CVSS Drawing



Materials

Part Name	Material
1-Body	Stainless Steel - ASTM A351, CF8M
2-Retainer	Stainless Steel - ASTM A276, 316 (1/4"-1") Stainless Steel - ASTM A351, CF8M (1 1/4"-2")
3-Ball Check	RPTFE - Reinforced Teflon™
4-Guide	Stainless Steel - ASTM A276, 316
5-Spring	Steel - AISI 316 Stainless Steel

Cutaway of the CVSS Ozone Compatible Check Valve. Reinforced Teflon ball pushed by a SS spring against a SS body ensures a tight seal.

CVSS Side View



Side view of the ozone compatible check valve. (CVSS) Flow is from left to right.