

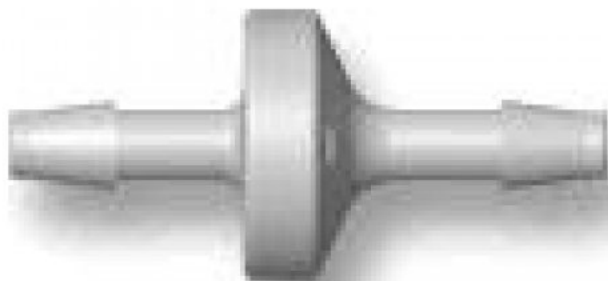
Low Pressure Ozone Check Valves

Ozone Resistant Check Valves

Ozone Compatible check valves ensure that gas or liquid does not flow to an undesired location. 0.25 PSI crack pressure ensures the check valve opens easily.

Features

- ozone resistant materials
- small size
- many barb sizes available
- inexpensive & quick installation
- Ultrasonically welded Kynar body
- mounts in any position



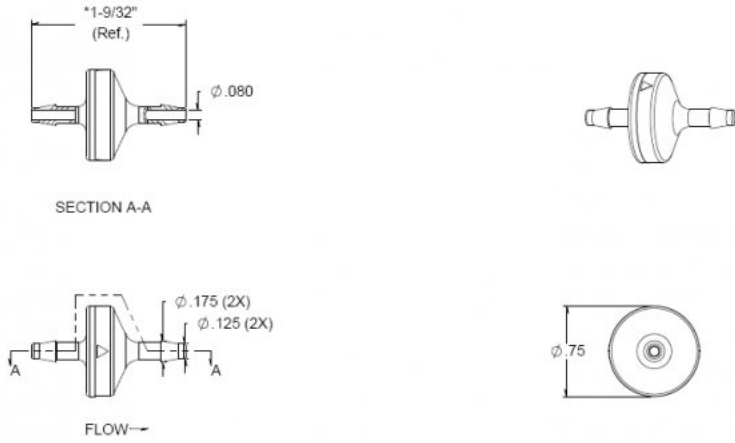
Product ID: **CVLP**
 Stock: **Yes**

Part#	Connection (barb x barb)	Price	*
CVLP-2	1/8-inch	Online Pricing	Buy Online!
CVLP-3	3/16-inch	Online Pricing	Buy Online!
CVLP-4	1/4-inch	Online Pricing	Buy Online!
CVLP-6	3/8-inch	Online Pricing	Buy Online!

Specifications

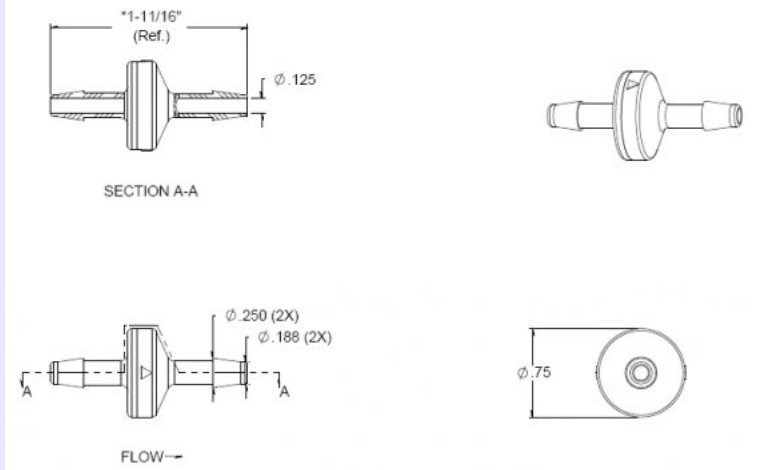
Wetted Materials	Viton Diaphragm, Kynar Body
Maximum pressure	40 PSI @ 180-deg F
Sealing Mechanism	Free floating diaphragm responds to the slightest change in pressure for a tight seal
Installation	slip into tubing, clamps not needed for low pressure (<10-PSI applications)
Crack Pressure	0.5 PSI

CVLP-2 Dimensions



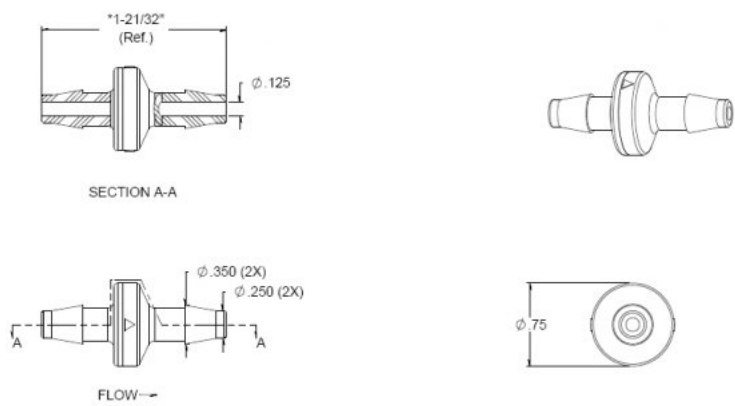
CVLP-2 Ozone Compatible Back-Flow Prevention Check Valve Dimensions.

CVLP-3 Dimensions



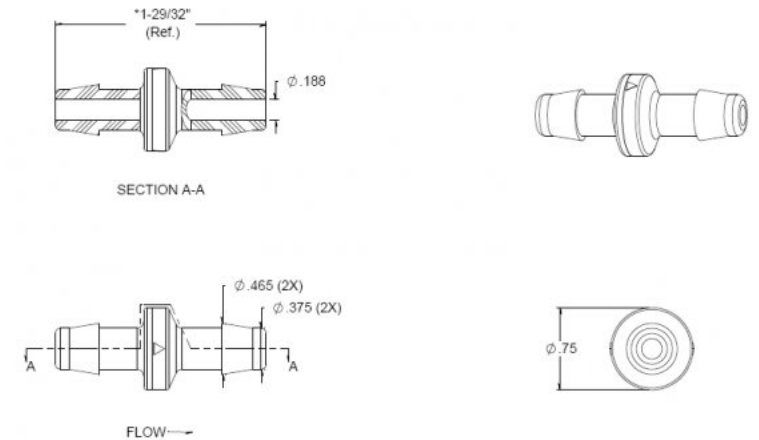
Dimensions of the CVLP-3 Ozone Compatible Back-Flow Prevention Check Valve

CVLP-4 Dimensions



Dimensions of the CVLP-4 Ozone Compatible Check Valve

CVLP-6 Dimensions



Dimensions of the CVLP-6