

# High Pressure Ozone Resistant Check Valves

## Ozone Resistant Check Valves

Ozone compatible check valves ensure that gas or liquid does not flow back to the ozone generator. 1-2 PSI crack pressure ensures a tight seal when back pressure is absent.



### Features

- ozone resistant materials
- NSF-61 Compliant
- many NPT sizes available
- inexpensive
- SS spring to ensure tight seal

Product ID: **CVHP**  
 Stock: **Yes**

Model #	Connection (MNPT x MNPT)	Price	*
CVHP-2	1/8-inch	Online Pricing	Buy Online!
CVHP-4	1/4-inch	Online Pricing	Buy Online!
CVHP-6	3/8-inch	Online Pricing	Buy Online!
CVHP-8	1/2-inch	Online Pricing	Buy Online!

### Specifications

Wetted Materials Viton Seal, 316 SS Spring, Kynar Body

Maximum pressure 220 PSI @ 180-deg F

Crack Pressure 1-2.5 PSI

Sizes Available 1/8, 1/4, 3/8, 1/2 MPT

#### CV Factors:

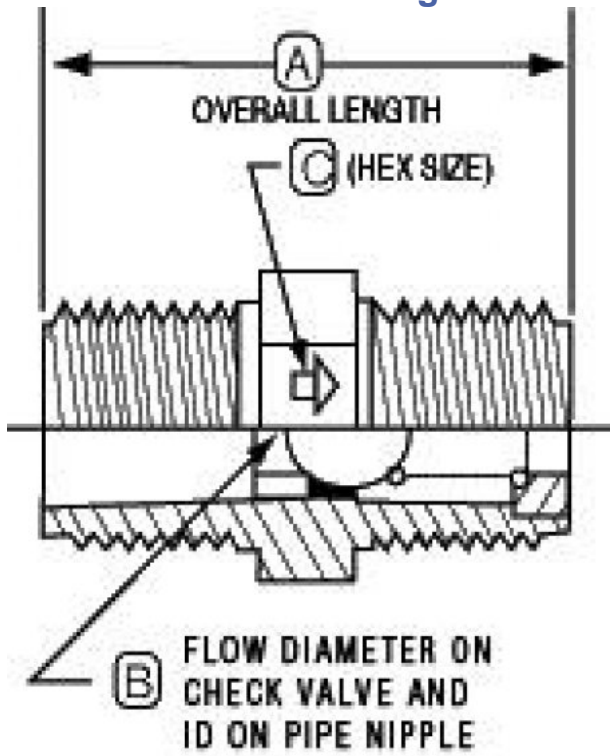
1/8" Valve 1.0 CV factor

1/4" Valve 2.5 CV factor

3/8" Valve 3.0 CV factor

1/2" Valve 3.5" CV factor

## CVHP Drawing



Cutaway of the CVHP Ozone Compatible Check Valve. SS ball pushed by a SS spring against a Viton O-ring ensures a tight seal.