

Stainless Steel Ozone-Air Vent

Ozone Compatible Ozone/Air Vent

This air vent is made from high quality stainless steel for years of quality performance in even the harshest of conditions.

When the typical construction air vents just aren't holding up anymore, this vent is a great upgrade to your ozone system. With welded stainless steel construction, there are no gaskets to leak or breakage.



Features

- Stainless Steel Ozone/Air Vent
- All Stainless Steel Construction
- Welded construction, no seals to leak
- Free Floating Lever Action
- Completely Ozone Compatible
- Quick and Easy Installation
- Efficiently Removes Ozone Off Gas
- 500 PSI Max Bursting Pressure
- 115 SCFM Capacity

Product ID: **AVSS-11**
Stock: **Yes**
Price: **\$249.00**

Specifications

Maximum Operating Pressure:	178 PSI (12 Bar)
Flow Capacity	115 SCFM
Inlet Connection:	3/4-In FNPT
Outlet Connections:	1/2-In FNPT
Orifice Size:	1/8-inch (3.175 mm)
Maximum Operating Temperature:	500-deg F (260-deg C)
Wetted Parts:	440 and 304 Stainless-Steel
Valve and Seat Material:	440 Stainless Steel (316 available call for details)
Leverage System Material:	303/304 Stainless Steel
Float Material:	304 Stainless Steel
Body and Cap Material:	Sealed Stainless Steel 304-L
Dimensions:	7.25 X 2.5-in (HxDia) 18.5 X 6-cm
Weight:	2-lbs (1-kg)

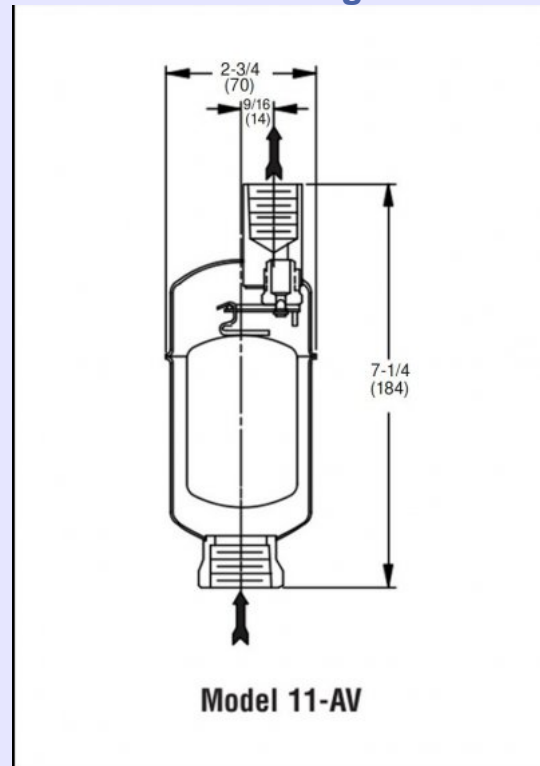
[b]Larger AVSS air vents are available, please call for details[/b]

AVSS-11 In Use



As you can see, this air vent is very simple to install and use.

AVSS-11 Diagram



The measurements are inches and (centimeters).