

Ozone Compatible Air Vent

Ozone Air Vent, Ozone Degasser

This ozone compatible air vent safely removes ozone from pressurized vessels. All ozone compatible materials ensure years of life. See-through material allows quick visual inspection.



Features

- Ozone Compatible Air Vent
- safely removes ozone
- completely ozone compatible
- quick installation
- see-through body shows it is working
- rugged and dependable
- Serviceable design allows for disassembly and service

Product ID: AVO3 Stock: Yes Price: \$219.00
--

Specifications

Maximum Operating Pressure	150 PSI (10 bar)
Process connection	3/4" FPT (on bottom)
Outlet connection	1/2" FPT
Orifice Size:	1/8-inch (3.175 mm)
wetted parts	304 & 316L SS, Polysulfone, Viton, Polybutylene Terephthalate (PBT)
Maximum Operating Temp	150-deg F (65.5-deg C)
Maximum gas removal	4.3 SCFM @ 15-PSI pressure differential, 24.3 SCFM @ 150-PSI pressure differential
Dimensions	6.75-in High x 3.5-in diameter (17.2 cm x 9.0 cm)
Weight	1-lb (0.5 kg)

AVO3 Dimensions

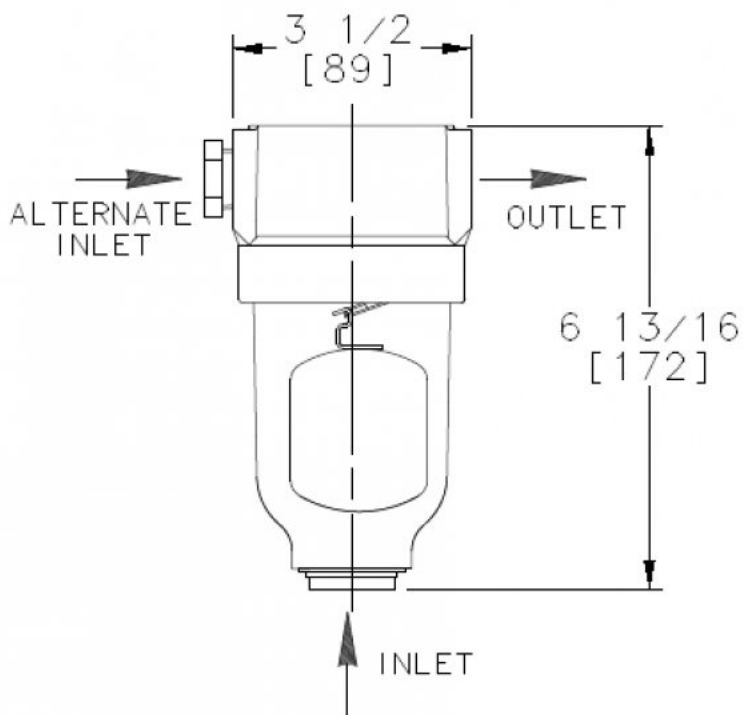


Image shows the Dimensions of the AVO3 Ozone Air Vent

Air Vent on Ozone Injection System



The AVO3 can be used traditionally as an air vent or as a water trap. In this image there is a AVO3 used below the ODS-3H Ozone Destruct Unit to protect it from excess water entering it. To use the AVO3 as a Water Trap the WT-100 can be purchased. This will include the bracket, tee, and all fittings necessary for immediate use at a very reasonable cost.

Air Vent on a U-tube



This air vent removes undissolved ozone gas for eventual reinjection into a separate water line at a Talapia fish farm.