

# 90-SCFH Oxygen Concentrator

## 90 SCFH Oxygen Concentrator System

AS-D Oxygen Concentrator eliminate the expense, inconvenience, hazardous handling, and storage problems associated with purchased liquid or high pressure oxygen.



### Features

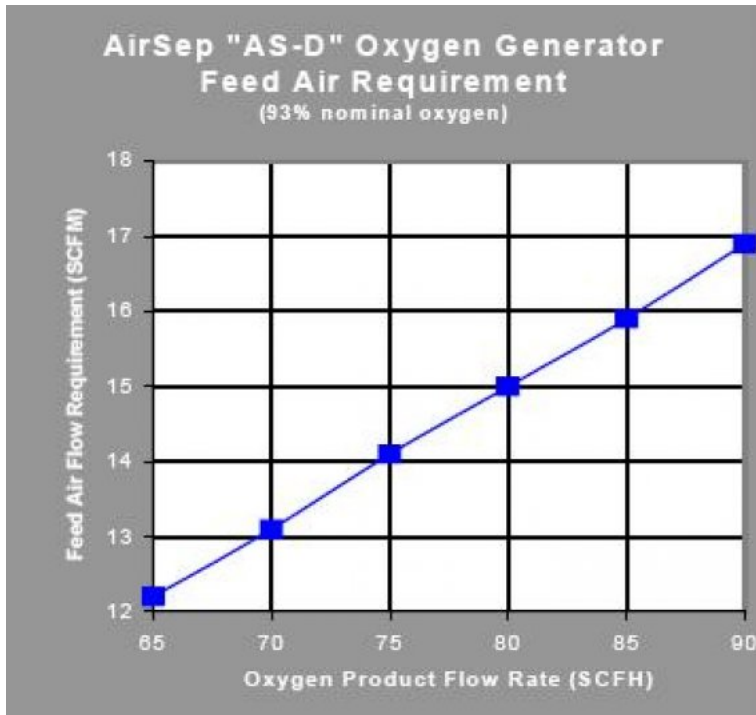
- Produces Oxygen from Compressed Air
- Microprocessor Controlled
- Low Operating Cost
- Automatic Unattended Operation
- Easy to install and maintain

|  |
|--|
| Product ID: <b>AS-D</b><br>Lead Time: <b>2 weeks</b> |
|--|

### Specifications

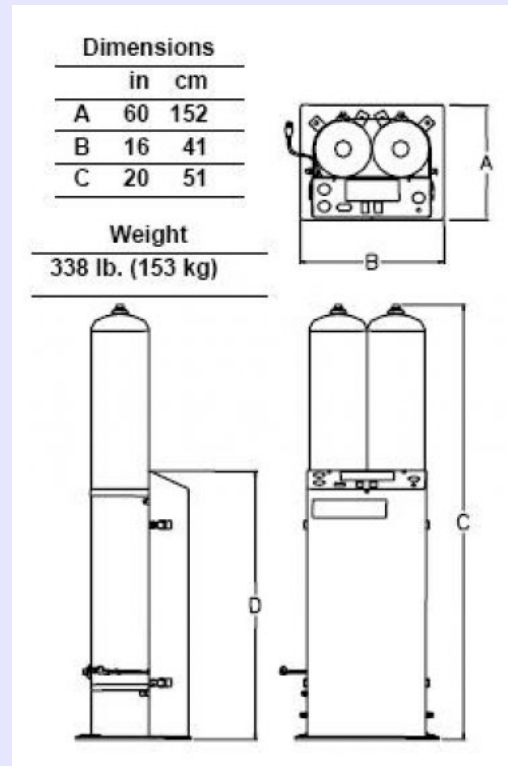
|                               |  |
|-------------------------------|--|
| Oxygen Output                 | 65 - 90 SCFH                                     |
| Oxygen Purity                 | 93% Nominal                                      |
| Dewpoint                      | -100-deg F                                       |
| Ambient Temperature           | 40-deg F - 112-deg F                             |
| Feed Air Requirements         |  |
| Air Quality                   | Clean dry plant air per ISO specifications 5.7.5 |
| Pressure                      | 90 PSI Minimum                                   |
| Temperature                   | 122-deg F Maximum                                |
| Power Required:               | 120 V 1.5A, 220V 0.75A                           |
| Power Consumption:            | 180 Watts  |
| Inlet and Outlet Connections: | 1/4" Female NPT                                  |
| Dimensions (W x D x H)        | 16-inch x 20-inch x 60-inch                      |
| Weight:                       | 338lbs (153 kg)                                  |

## Performance Chart



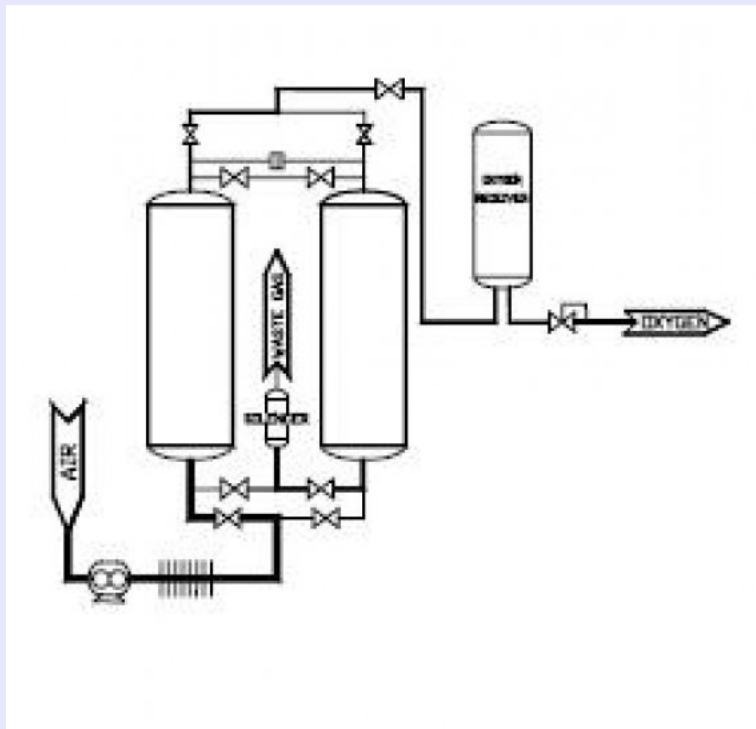
AS-D Performance Chart

## Dimensions



AS-D Dimension Drawing

## Process Diagram



Entire oxygen system process flow diagram